

Multi V Air Conditioner

SVC MANUAL(Exploded View)

MODEL : ARNU07GTUD4 ARNU07GTUB4
ARNU09GTUD4 ARNU09GTUB4
ARNU12GTUD4 ARNU12GTUB4
ARNU18GTTD4 ARNU18GTTB4
ARNU24GTTD4 ARNU24GTTB4

CAUTION

Before Servicing the unit, read the safety precautions in General SVC manual.
Only for authorized service personnel.

1. Specification

Type			1Way ceiling cassette (art type)	
Model		Unit	ARNU07GTUD4	ARNU07GTUB4
Cooling capacity		kW	2.2	2.2
		kcal/h	1,900	1,900
		Btu/h	7,500	7,500
Heating capacity		kW	2.5	2.5
		kcal/h	2,200	2,200
		Btu/h	8,500	8,500
Casing			Galvanized steel plate	Galvanized steel plate
Dimensions(WxDxH)	Body	mm	860x450x132	860x450x132
		inch	33-27/32 x 17-23/32 x 5-3/16	33-27/32 x 17-23/32 x 5-3/16
	Front panel	mm	1,100x500x34	1,100x500x34
		inch	43-5/16 x 19-11/16 x 1-11/32	43-5/16 x 19-11/16 x 1-11/32
Coil	Rows x Columns x FPI		2x12x18	2x12x18
	Face area	m ² (ft ²)	0.16 (1.72)	0.16 (1.72)
Fan	Type		Cross flow fan	Cross flow fan
	Motor output x number	W	30	30
	Running current	A	0.18	0.18
	Air flow rate(H/M/L)	CMM	8.2/7.3/6.4	8.2/7.3/6.4
		cfm	290 / 258 / 226	290 / 258 / 226
	Drive		Direct	Direct
Motor type		BLDC	BLDC	
Temperature control			Microprocessor, Thermostat for cooling and heating	Microprocessor, Thermostat for cooling and heating
Sound absorbing thermal insulation material			Foamed polystyrene	Foamed polystyrene
Safety device			Fuse	Fuse
Pipe connections	Liquid side	mm(inch)	Ø6.35(1/4)	Ø6.35(1/4)
	Gas side	mm(inch)	Ø12.7(1/2)	Ø12.7(1/2)
	Drain pipe(internal dia.)	mm(inch)	25(1)	25(1)
Net weight	Body	kg(lbs)	14.7(32.4)	14.7(32.4)
Noise level(sound press, 1.5m, H/M/L)		dB(A)+1	32 / 29 / 26	32 / 29 / 26
Power supply		Ø, V, Hz	1, 220 ~ 240, 50 1, 220, 60	1, 220 ~ 240, 50 1, 220, 60
Refrigerant control			EEV	EEV
Transmission cable		mm ² x No.	CVV-SB 1.0 ~ 1.5 x 2C	CVV-SB 1.0 ~ 1.5 x 2C
Panel color			White	White
Panel name(acc'y)	Panel type		-	PT-UUD
	Grille type		PT-UUC	PT-UUC

Notes:-

1. Capacities are based on the following conditions:

- Cooling
 - Indoor temp. 27°C[80.6°F]DB/ 19°C[66.2°F]WB
 - Outdoor temp. 35°C[95°F]DB/ 24°C[75.2°F]WB
 - Interconnecting piping length 7.5m
 - Level difference of zero
- Heating
 - Indoor temp. 20°C[68°F]DB/ 15°C[59°F]WB
 - Outdoor temp. 7°C[44.6°F]DB/ 6°C[42.8°F]WB
 - Interconnecting piping length 7.5m
 - Level difference of zero

2. Capacities are net capacities

3. Due to our policy of innovation some specifications may be changed without prior notification

4. To be added for more available models

5. EEV : Electronic expansion valve

Conversion formula

kcal/h= kW x 860
 Btu/h = kW x 3412
 cfm = m³/min x 35.3
 l/s = CMM x 1000/60

Type			1Way ceiling cassette (art type)	
Model		Unit	ARNU09GTUD4	ARNU09GTUB4
Cooling capacity		kW	2.8	2.8
		kcal/h	2,400	2,400
		Btu/h	9,600	9,600
Heating capacity		kW	3.2	3.2
		kcal/h	2,800	2,800
		Btu/h	10,900	10,900
Casing			Galvanized steel plate	Galvanized steel plate
Dimensions(WxDxH)	Body	mm	860x450x132	860x450x132
		inch	33-27/32 x 17-23/32 x 5-3/16	33-27/32 x 17-23/32 x 5-3/16
	Front panel	mm	1,100x500x34	1,100x500x34
		inch	43-5/16 x 19-11/16 x 1-11/32	43-5/16 x 19-11/16 x 1-11/32
Coil	Rows x Columns x FPI		2x12x18	2x12x18
	Face area	m ² (ft ²)	0.16 (1.72)	0.16 (1.72)
Fan	Type		Cross flow fan	Cross flow fan
	Motor output x number	W	30	30
	Running current	A	0.18	0.18
	Air flow rate(H/M/L)	CMM	9.2/8.6/8.2	9.2/8.6/8.2
		cfm	325 / 304 / 290	325 / 304 / 290
	Drive		Direct	Direct
Motor type		BLDC	BLDC	
Temperature control			Microprocessor, Thermostat for cooling and heating	Microprocessor, Thermostat for cooling and heating
Sound absorbing thermal insulation material			Foamed polystyrene	Foamed polystyrene
Safety device			Fuse	Fuse
Pipe connections	Liquid side	mm(inch)	Ø6.35(1/4)	Ø6.35(1/4)
	Gas side	mm(inch)	Ø12.7(1/2)	Ø12.7(1/2)
	Drain pipe(internal dia.)	mm(inch)	25(1)	25(1)
Net weight	Body	kg(lbs)	14.7(32.4)	14.7(32.4)
Noise level(sound press, 1.5m, H/M/L)		dB(A)+1	35/34/32	35/34/32
Power supply		Ø, V, Hz	1, 220 ~ 240, 50 1, 220, 60	1, 220 ~ 240, 50 1, 220, 60
Refrigerant control			EEV	EEV
Transmission cable		mm ² x No.	CVV-SB 1.0 ~ 1.5 x 2C	CVV-SB 1.0 ~ 1.5 x 2C
Panel color			White	White
Panel name(acc'y)	Panel type		-	PT-UUD
	Grille type		PT-UUC	PT-UUC

Notes:-

- Capacities are based on the following conditions:
 - Cooling
 - Indoor temp. 27°C[80.6°F]DB/ 19°C[66.2°F]WB
 - Outdoor temp. 35°C[95°F]DB/ 24°C[75.2°F]WB
 - Interconnecting piping length 7.5m
 - Level difference of zero
 - Heating
 - Indoor temp. 20°C[68°F]DB/ 15°C[59°F]WB
 - Outdoor temp. 7°C[44.6°F]DB/ 6°C[42.8°F]WB
 - Interconnecting piping length 7.5m
 - Level difference of zero
- Capacities are net capacities
- Due to our policy of innovation some specifications may be changed without prior notification
- To be added for more available models
- EEV : Electronic expansion valve

Conversion formula
kcal/h= kW x 860
Btu/h = kW x 3412
cfm = m ³ /min x 35.3
l/s = CMM x 1000/60

Type			1Way ceiling cassette (art type)	
Model		Unit	ARNU12GTUD4	ARNU12GTUB4
Cooling capacity		kW	3.6	3.6
		kcal/h	3,100	3,100
		Btu/h	12,300	12,300
Heating capacity		kW	4	4
		kcal/h	3,400	3,400
		Btu/h	13,600	13,600
Casing			Galvanized steel plate	Galvanized steel plate
Dimensions(WxDxH)	Body	mm	860x450x132	860x450x132
		inch	33-27/32 x 17-23/32 x 5-3/16	33-27/32 x 17-23/32 x 5-3/16
	Front panel	mm	1,100x500x34	1,100x500x34
		inch	43-5/16 x 19-11/16 x 1-11/32	43-5/16 x 19-11/16 x 1-11/32
Coil	Rows x Columns x FPI		2x12x18	2x12x18
	Face area	m ² (ft ²)	0.16 (1.72)	0.16 (1.72)
Fan	Type		Cross flow fan	Cross flow fan
	Motor output x number	W	30	30
	Running current	A	0.18	0.18
	Air flow rate(H/M/L)	CMM	10/9.2/8.2	10/9.2/8.2
		cfm	353 / 325 / 290	353 / 325 / 290
	Drive		Direct	Direct
Motor type		BLDC	BLDC	
Temperature control			Microprocessor, Thermostat for cooling and heating	Microprocessor, Thermostat for cooling and heating
Sound absorbing thermal insulation material			Foamed polystrene	Foamed polystrene
Safety device			Fuse	Fuse
Pipe connections	Liquid side	mm(inch)	Ø6.35(1/4)	Ø6.35(1/4)
	Gas side	mm(inch)	Ø12.7(1/2)	Ø12.7(1/2)
	Drain pipe(internal dia.)	mm(inch)	25(1)	25(1)
Net weight	Body	kg(lbs)	14.7(32.4)	14.7(32.4)
Noise level(sound press, 1.5m, H/M/L)		dB(A)+1	38/35/32	38/35/32
Power supply		Ø, V, Hz	1, 220 ~ 240, 50 1, 220, 60	1, 220 ~ 240, 50 1, 220, 60
Refrigerant control			EEV	EEV
Transmission cable		mm ² x No.	CVV-SB 1.0 ~ 1.5 x 2C	CVV-SB 1.0 ~ 1.5 x 2C
Panel color			White	White
Panel name(acc'y)	Panel type		-	PT-UUD
	Grille type		PT-UUC	PT-UUC

Notes:-

1. Capacities are based on the following conditions:

- Cooling
- Indoor temp. 27°C[80.6°F]DB/ 19°C[66.2°F]WB
 - Outdoor temp. 35°C[95°F]DB/ 24°C[75.2°F]WB
 - Interconnecting piping length 7.5m
 - Level difference of zero
- Heating
- Indoor temp. 20°C[68°F]DB/ 15°C[59°F]WB
 - Outdoor temp. 7°C[44.6°F]DB/ 6°C[42.8°F]WB
 - Interconnecting piping length 7.5m
 - Level difference of zero

2. Capacities are net capacities

3. Due to our policy of innovation some specifications may be changed without prior notification

4. To be added for more available models

5. EEV : Electronic expansion valve

Conversion formula

kcal/h= kW x 860
 Btu/h = kW x 3412
 cfm = m³/min x 35.3
 l/s = CMM x 1000/60

Type			1Way ceiling cassette (art type)	
Model		Unit	ARNU18GTTD4	ARNU18GTTB4
Cooling capacity		kW	5.6	5.6
		kcal/h	4,800	4,800
		Btu/h	19,100	19,100
Heating capacity		kW	6.3	6.3
		kcal/h	5,400	5,400
		Btu/h	21,500	21,500
Casing			Galvanized steel plate	Galvanized steel plate
Dimensions(WxDxH)	Body	mm	1,180x450x132	1,180x450x132
		inch	46-15/32 x 17-23/32 x 5-3/16	46-15/32 x 17-23/32 x 5-3/16
	Front panel	mm	1,420x500x34	1,420x500x34
		inch	55-29/32 x 19-11/16 x 1-11/32	55-29/32 x 19-11/16 x 1-11/32
Coil	Rows x Columns x FPI		2x12x18	2x12x18
	Face area	m ² (ft ²)	0.24 (2.58)	0.24 (2.58)
Fan	Type		Cross flow fan	Cross flow fan
	Motor output x number	W	30	30
	Running current	A	0.3	0.3
	Air flow rate(H/M/L)	CMM	13.3/12.1/10.9	13.3/12.1/10.9
		cfm	470 / 427 / 385	470 / 427 / 385
	Drive		Direct	Direct
Motor type		BLDC	BLDC	
Temperature control			Microprocessor, Thermostat for cooling and heating	Microprocessor, Thermostat for cooling and heating
Sound absorbing thermal insulation material			Foamed polystyrene	Foamed polystyrene
Safety device			Fuse	Fuse
Pipe connections	Liquid side	mm(inch)	Ø6.35(1/4)	Ø6.35(1/4)
	Gas side	mm(inch)	Ø12.7(1/2)	Ø12.7(1/2)
	Drain pipe(internal dia.)	mm(inch)	25(1)	25(1)
Net weight	Body	kg(lbs)	15.6(34.39)	18.7(41.23)
Noise level(sound press, 1.5m, H/M/L)		dB(A)+1	40/37/35	40/37/35
Power supply		Ø, V, Hz	1, 220 ~ 240, 50 1, 220, 60	1, 220 ~ 240, 50 1, 220, 60
Refrigerant control			EEV	EEV
Transmission cable		mm ² x No.	CVV-SB 1.0 ~ 1.5 x 2C	CVV-SB 1.0 ~ 1.5 x 2C
Panel color			White	White
Panel name(acc'y)	Panel type		-	PT-UTD
	Grille type		PT-UTC	PT-UTC

Notes:-

1. Capacities are based on the following conditions:

- Cooling
- Indoor temp. 27°C[80.6°F]DB/ 19°C[66.2°F]WB
 - Outdoor temp. 35°C[95°F]DB/ 24°C[75.2°F]WB
 - Interconnecting piping length 7.5m
 - Level difference of zero
- Heating
- Indoor temp. 20°C[68°F]DB/ 15°C[59°F]WB
 - Outdoor temp. 7°C[44.6°F]DB/ 6°C[42.8°F]WB
 - Interconnecting piping length 7.5m
 - Level difference of zero

Conversion formula

kcal/h= kW x 860
 Btu/h = kW x 3412
 cfm = m³/min x 35.3
 l/s = CMM x 1000/60

2. Capacities are net capacities

3. Due to our policy of innovation some specifications may be changed without prior notification

4. To be added for more available models

5. EEV : Electronic expansion valve

Type			1Way ceiling cassette (art type)	
Model		Unit	ARNU24GTTD4	ARNU24GTTB4
Cooling capacity		kW	7.1	7.1
		kcal/h	6,100	6,100
		Btu/h	24,200	24,200
Heating capacity		kW	7.1	7.1
		kcal/h	6,100	6,100
		Btu/h	24,200	24,200
Casing			Galvanized steel plate	Galvanized steel plate
Dimensions(WxDxH)	Body	mm	1,180x450x132	1,180x450x132
		inch	46-15/32 x 17-23/32 x 5-3/16	46-15/32 x 17-23/32 x 5-3/16
	Front panel	mm	1,420x500x34	1,420x500x34
		inch	55-29/32 x 19-11/16 x 1-11/32	55-29/32 x 19-11/16 x 1-11/32
Coil	Rows x Columns x FPI		2x12x18	2x12x18
	Face area	m ² (ft ²)	0.24 (2.58)	0.24 (2.58)
Fan	Type		Cross flow fan	Cross flow fan
	Motor output x number	W	30	30
	Running current	A	0.3	0.3
	Air flow rate(H/M/L)	CMM	14.6/13.3/11.5	14.6/13.3/11.5
		cfm	515 / 470 / 406	515 / 470 / 406
	Drive		Direct	Direct
Motor type		BLDC	BLDC	
Temperature control			Microprocessor, Thermostat for cooling and heating	Microprocessor, Thermostat for cooling and heating
Sound absorbing thermal insulation material			Foamed polystyrene	Foamed polystyrene
Safety device			Fuse	Fuse
Pipe connections	Liquid side	mm(inch)	Ø9.52(3/8)	Ø9.52(3/8)
	Gas side	mm(inch)	Ø15.88(5/8)	Ø15.88(5/8)
	Drain pipe(internal dia.)	mm(inch)	25(1)	25(1)
Net weight	Body	kg(lbs)	15.6(34.39)	18.7(41.23)
Noise level(sound press, 1.5m, H/M/L)		dB(A)+1	43/40/36	43/40/36
Power supply		Ø, V, Hz	1, 220 ~ 240, 50 1, 220, 60	1, 220 ~ 240, 50 1, 220, 60
Refrigerant control			EEV	EEV
Transmission cable		mm ² x No.	CVV-SB 1.0 ~ 1.5 x 2C	CVV-SB 1.0 ~ 1.5 x 2C
Panel color			White	White
Panel name(acc'y)	Panel type		-	PT-UTD
	Grille type		PT-UTC	PT-UTC

Notes:-

1. Capacities are based on the following conditions:

- Cooling
- Indoor temp. 27°C[80.6°F]DB/ 19°C[66.2°F]WB
 - Outdoor temp. 35°C[95°F]DB/ 24°C[75.2°F]WB
 - Interconnecting piping length 7.5m
 - Level difference of zero
- Heating
- Indoor temp. 20°C[68°F]DB/ 15°C[59°F]WB
 - Outdoor temp. 7°C[44.6°F]DB/ 6°C[42.8°F]WB
 - Interconnecting piping length 7.5m
 - Level difference of zero

2. Capacities are net capacities

3. Due to our policy of innovation some specifications may be changed without prior notification

4. To be added for more available models

5. EEV : Electronic expansion valve

Conversion formula

kcal/h= kW x 860
 Btu/h = kW x 3412
 cfm = m³/min x 35.3
 l/s = CMM x 1000/60

2. List of Functions

* Model Name
D:Plasma, B:Basic

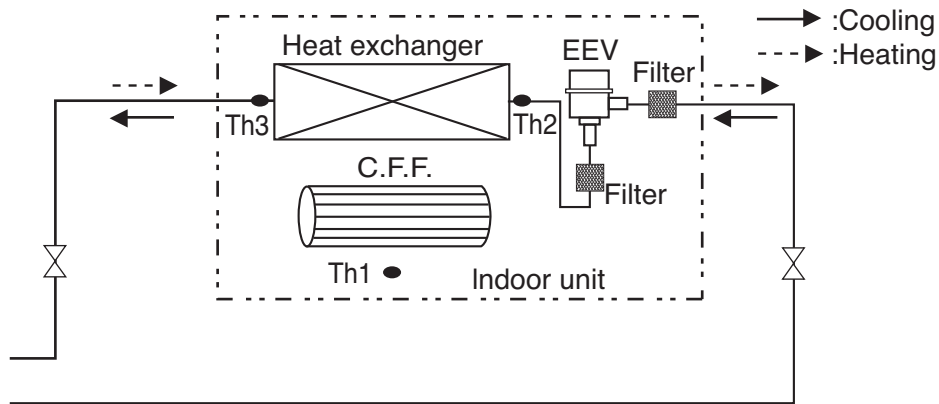
Category	Function	ARNU24GTT*4 / ARNU18GTT*4 / ARNU12GTU*4 / ARNU09GTU*4 / ARNU07GTU*4
Air flow	Air supply outlet	1
	Airflow direction control(left & right)	O
	Airflow direction control(up & down)	O
	Auto swing(left & right)	X
	Auto swing(up & down)	O
	Airflow steps(fan/cool/heat)	4/5/4
	Chaos swing	O
	Chaos wind(auto wind)	O
	Jet cool(power wind)	O
	Swirl wind	-
Air purifying	Deodorizing filter	X
	Plasma air purifier	Option
	Prefilter(washable / anti-fungus)	Option
	Robot cleaner	Option
Installation	Drain pump	O
	E.S.P. control	O
	Electric heater(operation)	X
	High ceiling operation	O
Reliability	Hot start	O
	Self diagnosis	O
	Soft dry operation	O
Convenience	Auto changeover	O(Only heat recovery)
	Auto cleaning	O
	Auto operation(artificial intelligence)	O(Heat pump or cooling only)
	Auto restart operation	O
	Child lock	O
	Forced operation	O
	Group control	O
	Sleep mode	O
	Timer(on/off)	O
	Timer(weekly)	O
	Two thermistor control	O
Elevation grill (accessory)	x	
Individual control	Standard wired remote controller	Accessory
	Deluxe wired remote controller	Accessory
	Simple wired remote controller	Accessory
	Wired remote controller(for hotel use)	Accessory
	Wireless remote controller(simple)	X
	Wireless LCD remote control	Accessory
Special function kit	Zone control	-
	CTIE	-
	Electro thermostat	-

O : Applied X : Not applied - : No relation

Option : Model name & price are different according to options, and assembled in factory with main unit.

Accessory : Installed at field, ordered and purchased separately by the corresponding model name, supplied with separate package.

3. Piping Diagrams



■ Refrigerant pipe connection port diameter

[Unit: mm(inch)]

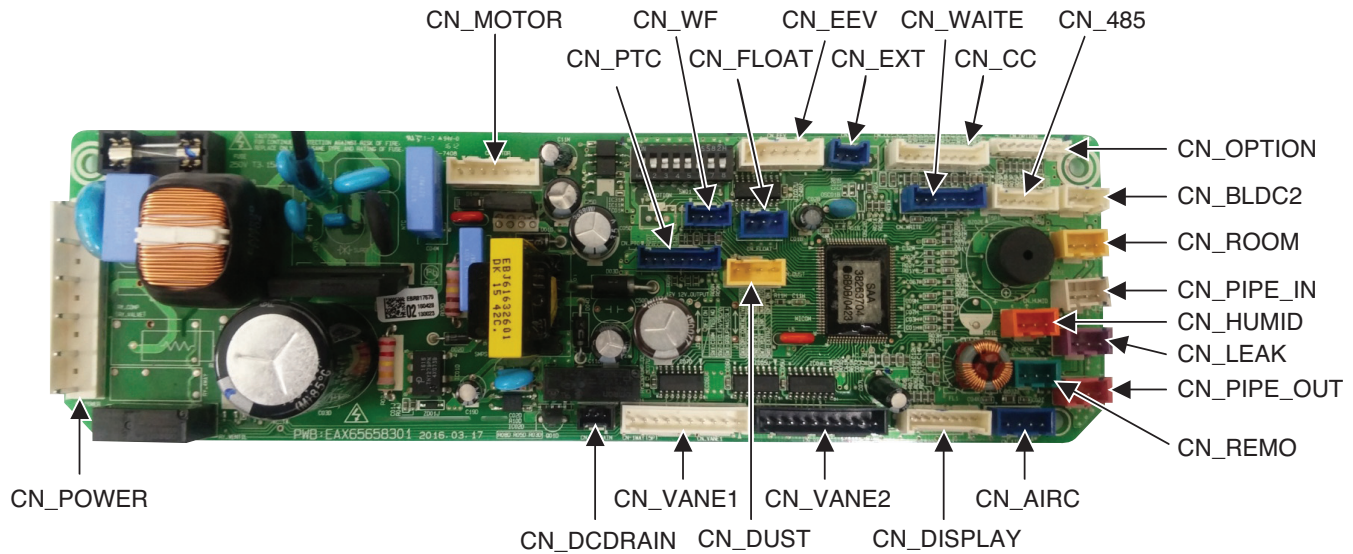
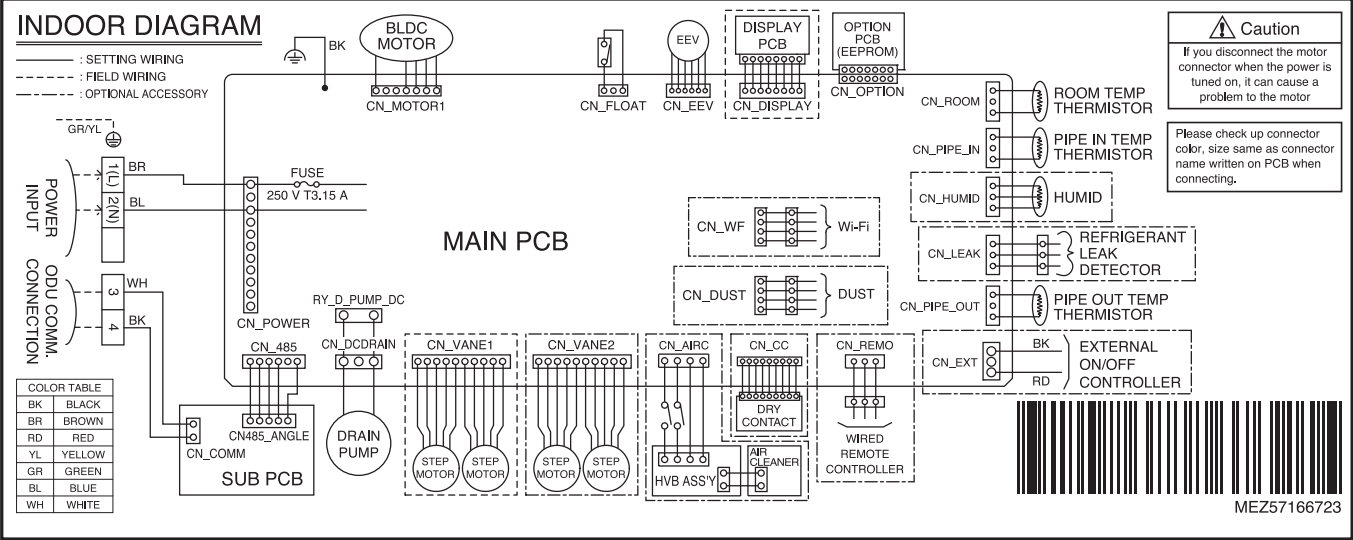
Model	Gas	Liquid
ARNU07GTU*4	Ø12.7(1/2)	Ø6.35(1/4)
ARNU09GTU*4	Ø12.7(1/2)	Ø6.35(1/4)
ARNU12GTU*4	Ø12.7(1/2)	Ø6.35(1/4)
ARNU18GTT*4	Ø12.7(1/2)	Ø6.35(1/4)
ARNU24GTT*4	Ø15.88(5/8)	Ø9.52(3/8)

* Model Name
D:Plasma, B:Basic

LOC.	Description	PCB Connector (Color)
Th1	Thermistor for room air temperature	CN-ROOM (Yellow)
Th2	Thermistor for pipe in temperature	CN-PIPE_IN (White)
Th3	Thermistor for pipe out temperature	CN-PIPE_OUT (Red)

4. Wiring Diagrams

Plasma / Standard model : ARNU**GT*D4/B4



5. DIP Switch Setting

1. Indoor Unit

	Function	Description	Setting Off	Setting On	Default
SW1	Communication	N/A (Default)	-	-	Off
SW2	Cycle	N/A (Default)	-	-	Off
SW3	Group Control	Selection of Master or Slave	Master	Slave	Off
SW4	Dry Contact Mode	Selection of Dry Contact Mode	Wired/Wireless remote controller Selection of Manual or Auto operation Mode	Auto	Off
SW5	Installation	Fan continuous operation	Continuous operation Removal	-	Off
SW6	Heater linkage	N/A	-	-	Off
SW7	Ventilator linkage	Selection of Ventilator linkage	Linkage Removal	Working	Off
	Vane selection (Console)	Selection of up/down side Vane	Up side + Down side Vane	Up side Vane Only	
	Region selection	Selection tropical region	General model	Tropical model	
SW8	Etc.	Spare	-	-	Off

⚠ CAUTION

For Multi V Models, DIP switch 1, 2, 6, 8 must be set OFF.

2. Outdoor Unit

In case that the products meet specific conditions, "Auto addressing" function can start automatically with the improved speed by turning the DIP switch #3 of the outdoor unit and resetting the power.

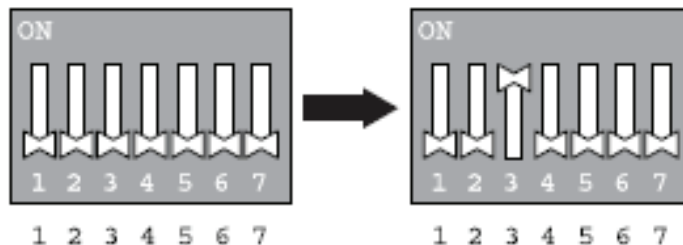
* Specific conditions:

- All names of the indoor units are ARNU****4.
- The serial number of Multi V super IV (outdoor units) is after October 2013.

DIP switch 7 segment



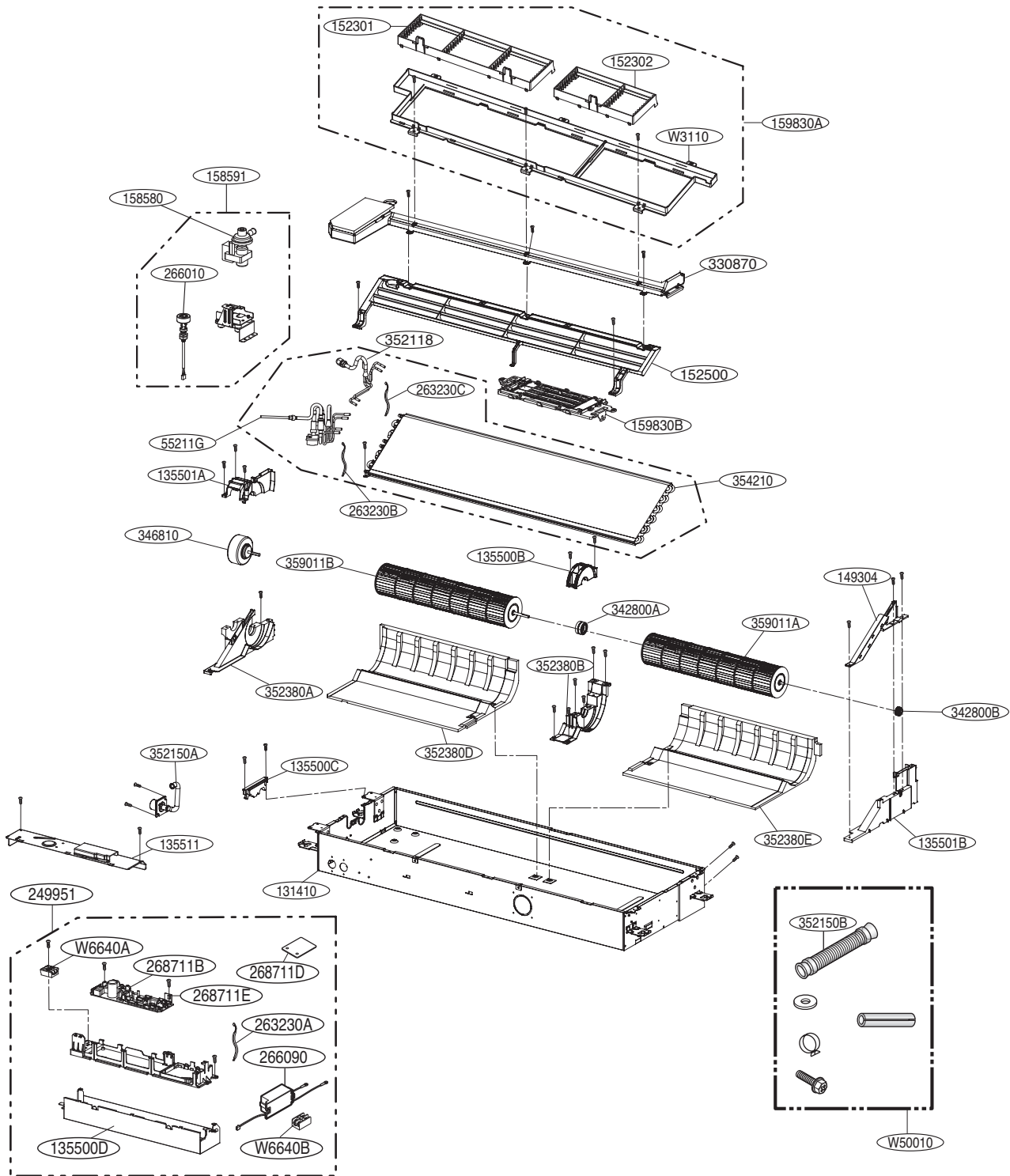
Outdoor Unit PCB



Outdoor Unit DIP Switch

6. Exploded View

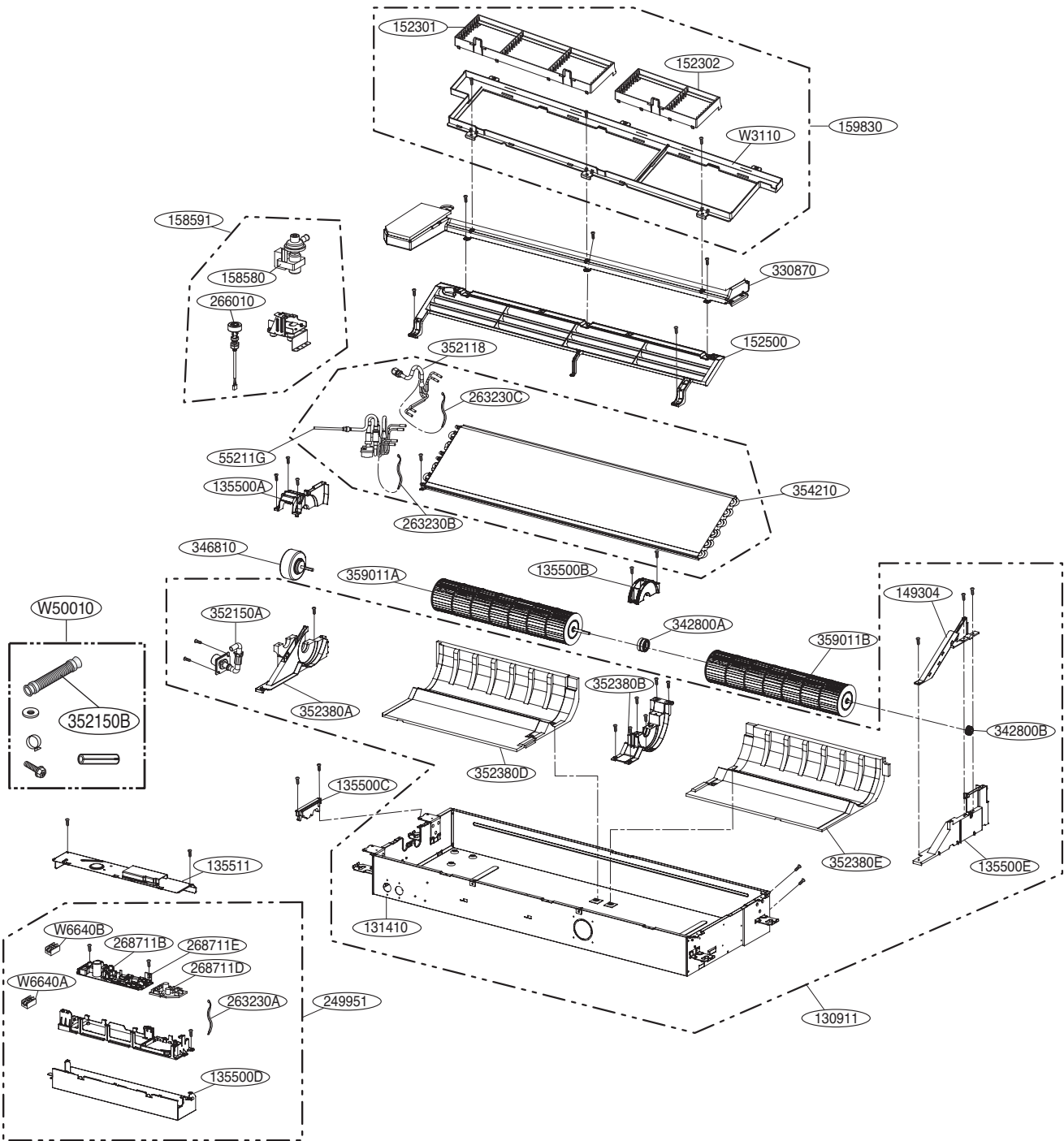
• TT chassis : Plasma model (ARNU**GTTD4)



LOC.	SVC No.	Description	PCB Connector (Color)
Th1	263230A	Thermistor for room air temperature	CN-ROOM (Yellow)
Th2	263230B	Thermistor for pipe in temperature	CN-PIPE_IN (White)
Th3	263230C	Thermistor for pipe out temperature	CN-PIPE_OUT (Red)

6. Exploded View

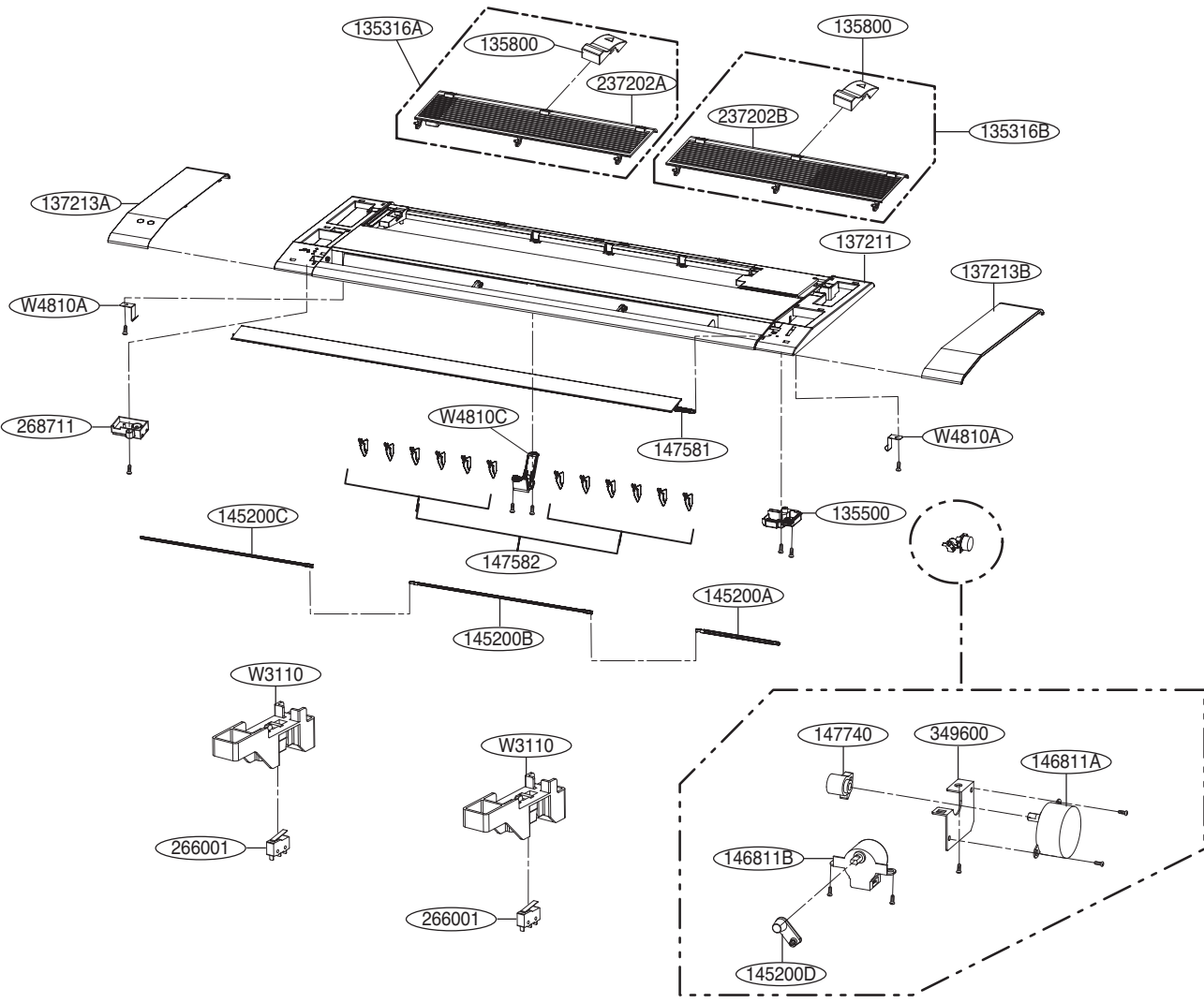
• TT chassis : Standard model (ARNU**GTTB4)



LOC.	SVC No.	Description	PCB Connector (Color)
Th1	263230A	Thermistor for room air temperature	CN-ROOM (Yellow)
Th2	263230B	Thermistor for pipe in temperature	CN-PIPE_IN (White)
Th3	263230C	Thermistor for pipe out temperature	CN-PIPE_OUT (Red)

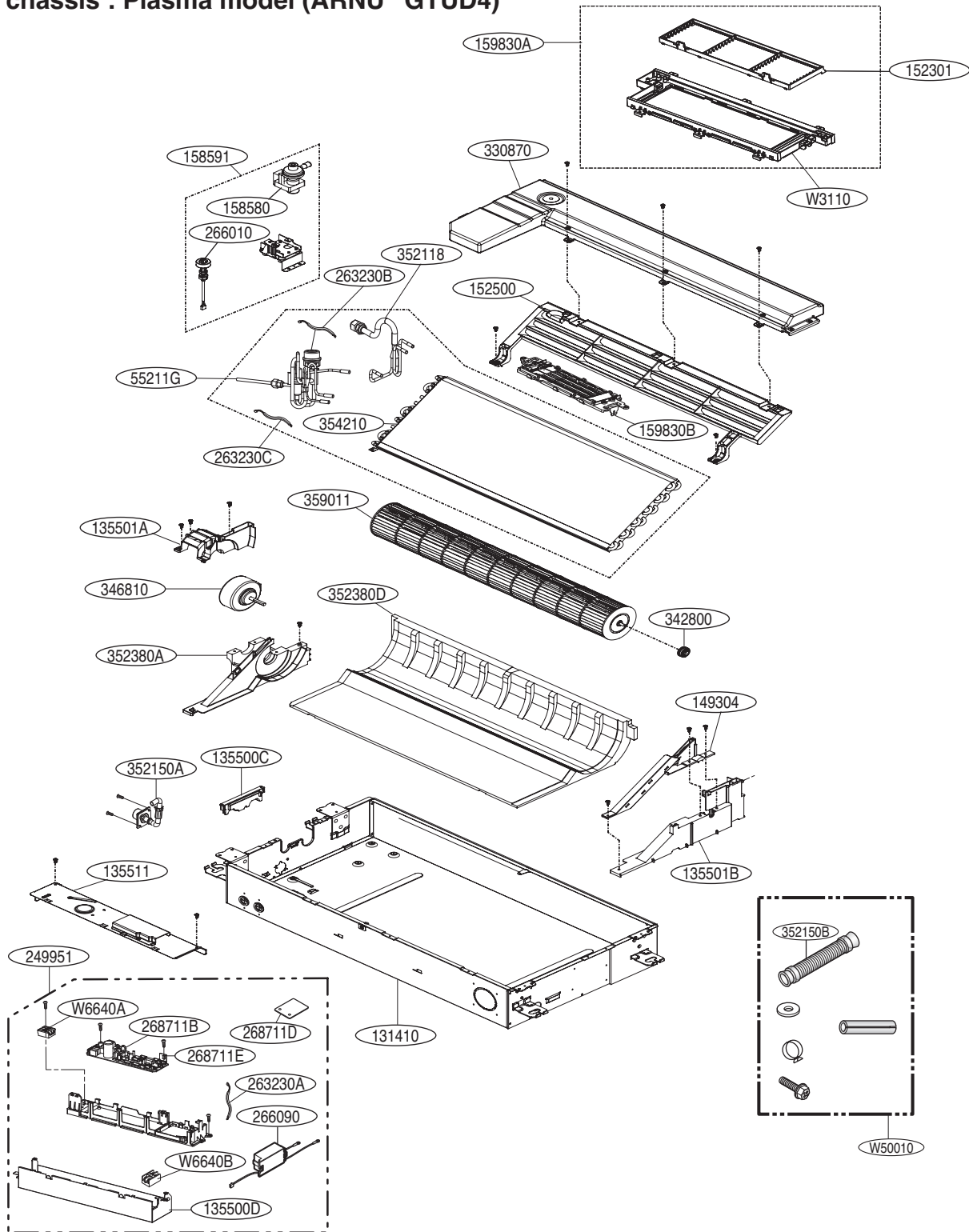
6. Exploded View

TT chassis front panel (grille type) : PT-UTC



6. Exploded View

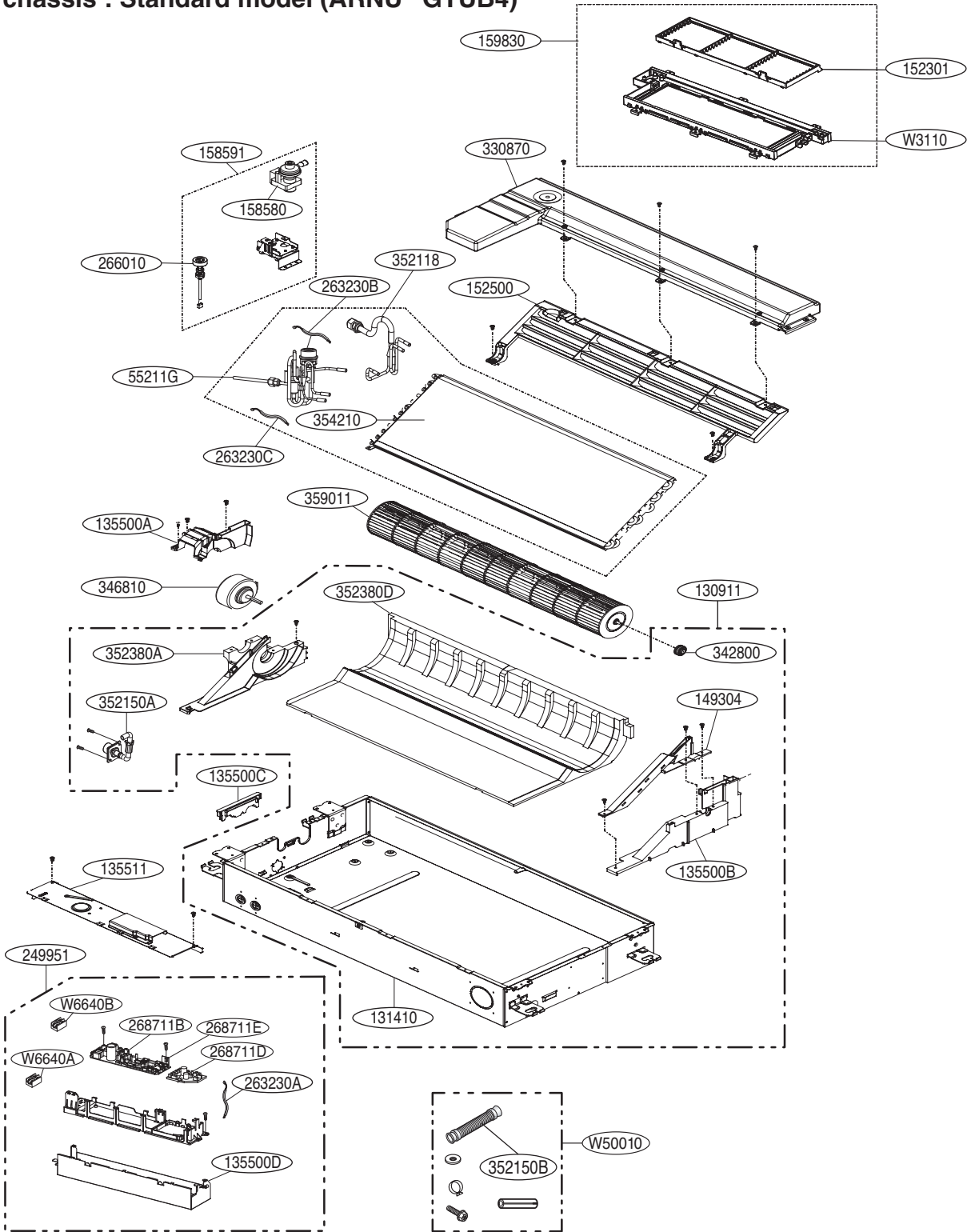
• TU chassis : Plasma model (ARNU**GTUD4)



LOC.	SVC No.	Description	PCB Connector (Color)
Th1	263230A	Thermistor for room air temperature	CN-ROOM (Yellow)
Th2	263230B	Thermistor for pipe in temperature	CN-PIPE_IN (White)
Th3	263230C	Thermistor for pipe out temperature	CN-PIPE_OUT (Red)

6. Exploded View

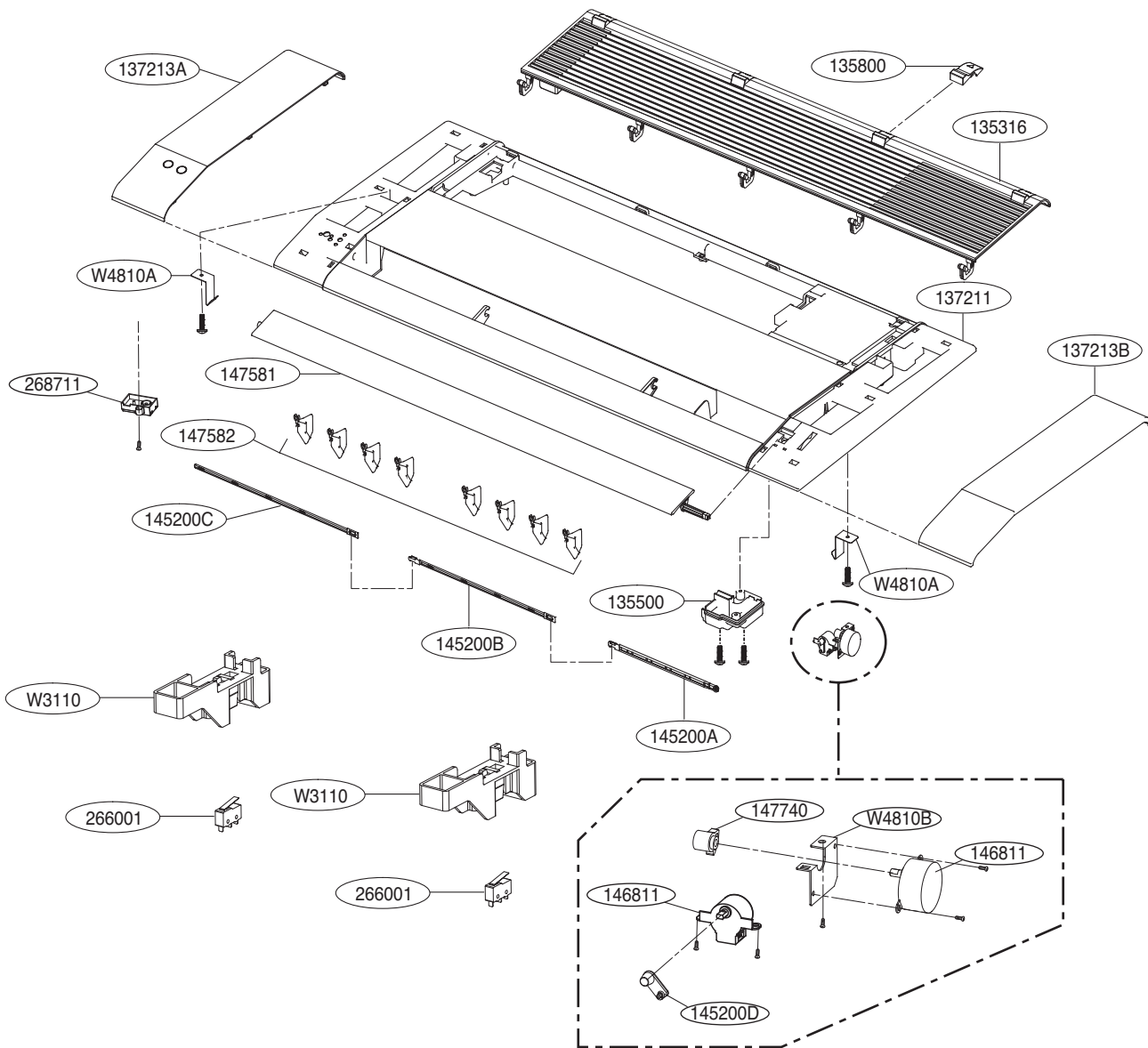
• TU chassis : Standard model (ARNU**GTUB4)



LOC.	SVC No.	Description	PCB Connector (Color)
Th1	263230A	Thermistor for room air temperature	CN-ROOM (Yellow)
Th2	263230B	Thermistor for pipe in temperature	CN-PIPE_IN (White)
Th3	263230C	Thermistor for pipe out temperature	CN-PIPE_OUT (Red)

6. Exploded View

TU chassis : Front panel (grille type) : PT-UUC



7. Self-diagnosis function

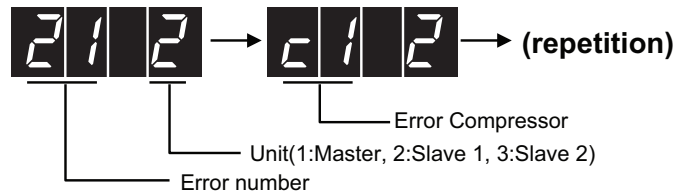
Error Indicator

- This function indicates types of failure in self-diagnosis and occurrence of failure for air condition.
- Error mark is displayed on display window of indoor units and wired remote controller, and 7-segment LED of outdoor unit control board as shown in the table.
- If more than two troubles occur simultaneously, lower number of error code is first displayed.
- After error occurrence, if error is released, error LED is also released simultaneously.

Error Display

- 1st,2nd,3rd LED of 7-segment indicates error number, 4th LED indicates unit number. Indicates unit number.
(* = 1:Master, 2 : Slave 1, 3 : Slave 2)

Ex) 211 : No.21 error of master unit
 213 : No.21 error of slave2
 1051 : No.105 error of master unit



※ Refer to the DX-Ventilation manual for DX-Ventilation error code

Display			Title	Cause of Error	
Indoor unit related error	0	1	-	Air temperature sensor of indoor unit	Air temperature sensor of indoor unit is open or short
	0	2	-	Inlet pipe temperature sensor of indoor unit	Inlet pipe temperature sensor of indoor unit is open or short
	0	3	-	Communication error : wired remote controller ↔ indoor unit	Failing to receive wired remote controller signal in indoor unit PCB
	0	4	-	Drain pump	Malfunction of drain pump
	0	5	-	Communication error : Indoor communication PCB ↔ indoor unit	Indoor Unit PCB did not receive signal from Indoor communication PCB for over 3 minutes continuously
	0	6	-	Outlet pipe temperature sensor of indoor unit	Outlet pipe temperature sensor of indoor unit is open or short
	0	9	-	Indoor EEPROM Error	In case when the serial number marked on EEPROM of Indoor unit is 0 or FFFFFFFF
	1	0	-	Poor fan motor operation	Disconnecting the fan motor connector / Failure of indoor fan motor lock
	2	3	0	Refrigerant leakage sensing error	Refrigerant leakage sensing error and sensor defect error
	2	3	7	Communication defect in indoor communication PCB ↔ outdoor communication PCB	Indoor communication PCB did not receive signal from outdoor communication PCB for over 3 minutes continuously
	2	3	8	Communication error in outdoor communication PCB ↔ outdoor unit	Outdoor communication PCB did not receive communication signal from outdoor unit for over 3 minutes continuously



P/NO : MFL68506011