



Internal Use Only

<http://biz.lgservice.com>

THERMAVTM System

GENERAL SVC MANUAL

MODEL : AHBW Series

CAUTION

Before Servicing the unit, read the safety precautions in General SVC manual.
Only for authorized service personnel.

TABLE OF CONTENTS


Safety Precautions	3
1. General Information	7
2. Features and Controls	10
3. Basic Control	36
4. Replacement	38
5. Trouble Shooting Guide	42

Safety Precautions

To prevent injury to the user or other people and property damage, the following instructions must be followed.

■ Incorrect operation due to ignoring instruction will cause harm or damage. The seriousness is classified by the following indications.

 **WARNING** This symbol indicates the possibility of death or serious injury.

 **CAUTION** This symbol indicates the possibility of injury or damage to properties only.

■ Meanings of symbols used in this manual are as shown below.



Be sure not to do.



Be sure to follow the instruction.

WARNING

■ Installation

Ask the dealer or an authorized technician to install the air conditioner.

- Improper installation by the user may result in water leakage, electric shock, or fire.

Take care to ensure that nobody could step on or fall onto the outdoor unit.

- This could result in personal injury and product damage.

Always ground the product.

- There is risk of fire or electric shock.

Always install a dedicated circuit and breaker.

- Improper wiring or installation may cause fire or electric shock.

For re-installation of the installed product, always contact a dealer or an Authorized Service Center.

- There is risk of fire, electric shock, explosion, or injury.

Do not install, remove, or re-install the unit by yourself (customer).

- There is risk of fire, electric shock, explosion, or injury.

Do not store or use flammable gas or combustibles near the air conditioner.

- There is risk of fire or failure of product.

Use the correctly rated breaker or fuse.

- There is risk of fire or electric shock.

Prepare for strong wind or earthquake and install the unit at the specified place.

- Improper installation may cause the unit to topple and result in injury.

When installing and moving the air conditioner to another site, do not charge it with a different refrigerant from the refrigerant specified on the unit.

- If a different refrigerant or air is mixed with the original refrigerant, the refrigerant cycle may malfunction and the unit may be damaged.

Ventilate before operating air conditioner when gas leaked out.

- It may cause explosion, fire, and burn.

Do not install the product on a defective installation stand.

- It may cause injury, accident, or damage to the product.

Do not reconstruct to change the settings of the protection devices.

- If the pressure switch, thermal switch, or other protection device is shorted and operated forcibly, or parts other than those specified by LGE are used, fire or explosion may result.

Securely install the cover of control box and the panel.

- If the cover and panel are not installed securely, dust or water may enter the outdoor unit and fire or electric shock may result.

■ Operation

Do not damage or use an unspecified power cord.

- There is risk of fire, electric shock, explosion, or injury.

Be cautious that water could not enter the product.

- There is risk of fire, electric shock, or product damage.

When the product is soaked (flooded or submerged), contact an Authorized Service Center.

- There is risk of fire or electric shock.

Use a dedicated outlet for this appliance.

- There is risk of fire or electrical shock.

Do not touch the power switch with wet hands.

- There is risk of fire, electric shock, explosion, or injury.

Be cautious not to touch the sharp edges when installing.

- It may cause injury.

⚠ CAUTION

■ Installation

Always check for gas (refrigerant) leakage after installation or repair of product.

- Low refrigerant levels may cause failure of product.

Keep level even when installing the product.

- To avoid vibration or water leakage.

Use power cables of sufficient current carrying capacity and rating.

- Cables that are too small may leak, generate heat, and cause a fire.

Keep the unit away from children. The heat exchanger is very sharp.

- It can cause the injury, such as cutting the finger. Also the damaged fin may result in degradation of capacity.

Do not install the product where the noise or hot air from the outdoor unit could damage the neighborhoods.

- It may cause a problem for your neighbors.

Do not install the unit where combustible gas may leak.

- If the gas leaks and accumulates around the unit, an explosion may result.

Do not use the product for special purposes, such as preserving foods, works of art, etc. It is a consumer air conditioner, not a precision refrigeration system.

- There is risk of damage or loss of property.

When installing the unit in a hospital, communication station, or similar place, provide sufficient protection against noise.

- The inverter equipment, private power generator, high-frequency medical equipment, or radio communication equipment may cause the air conditioner to operate erroneously, or fail to operate. On the other hand, the air conditioner may affect such equipment by creating noise that disturbs medical treatment or image broadcasting.

Do not install the product where it is exposed to sea wind (salt spray) directly.

- It may cause corrosion on the product. Corrosion, particularly on the condenser and evaporator fins, could cause product malfunction or inefficient operation.

■ Operation

Do not use the air conditioner in special environments.

- Oil, steam, sulfuric smoke, etc. can significantly reduce the performance of the air conditioner or damage its parts.

Do not block the inlet or outlet.

- It may cause failure of appliance or accident.

Make the connections securely so that the outside force of the cable may not be applied to the terminals.

- Inadequate connection and fastening may generate heat and cause a fire.

Be sure the installation area does not deteriorate with age.

- If the base collapses, the air conditioner could fall with it, causing property damage, product failure, or personal injury.

Install and insulate the drain hose to ensure that water is drained away properly based on the installation manual.

- A bad connection may cause water leakage.

Be very careful about product transportation.

- Only one person should not carry the product if it weighs more than 20 kg.
- Some products use PP bands for packaging. Do not use any PP bands for a means of transportation. It is dangerous.
- Do not touch the heat exchanger fins. Doing so may cut your fingers.
- When transporting the outdoor unit, suspending it at the specified positions on the unit base. Also support the outdoor unit at four points so that it cannot slip sideways.

Safely dispose of the packing materials.

- Packing materials, such as nails and other metal or wooden parts, may cause stabs or other injuries.
- Tear apart and throw away plastic packaging bags so that children may not play with them. If children play with a plastic bag which was not torn apart, they face the risk of suffocation.

Turn on the power at least 6 hours before starting operation.

- Starting operation immediately after turning on the main power switch can result in severe damage to internal parts. Keep the power switch turned on during the operational season.

Part 1

General Information

1. Model Names	8
2. External Appearance	8
3. Nomenclature.....	9

1. Model Names

Model name and related information

Unit	Capacity		Power Source (Unit)	Chassis
	Heating (kW)*	Cooling (kW)**		
AHBW056A0	4.99	4.99	220-240 V~ 50 Hz	UN4
AHBW076A0	7.00	7.00	220-240 V~ 50 Hz	UN4
AHBW096A0	9.00	9.00	220-240 V~ 50 Hz	UN4
AHBW126A0	12.00	14.50	220-240 V~ 50 Hz	UN3
AHBW146A0	14.00	15.50	220-240 V~ 50 Hz	UN3
AHBW166A0	16.00	16.10	220-240 V~ 50 Hz	UN3

* : tested under Eurovent Heating condition (inlet Water temperature 30 °C → 35 °C at outdoor ambient temperature 7 °C DB/ 6 °C WB)

** : tested under Eurovent Cooling condition (inlet Water temperature 23 °C → 18 °C at outdoor ambient temperature 36 °C DB/ 24 °C WB)

2. External Appearance



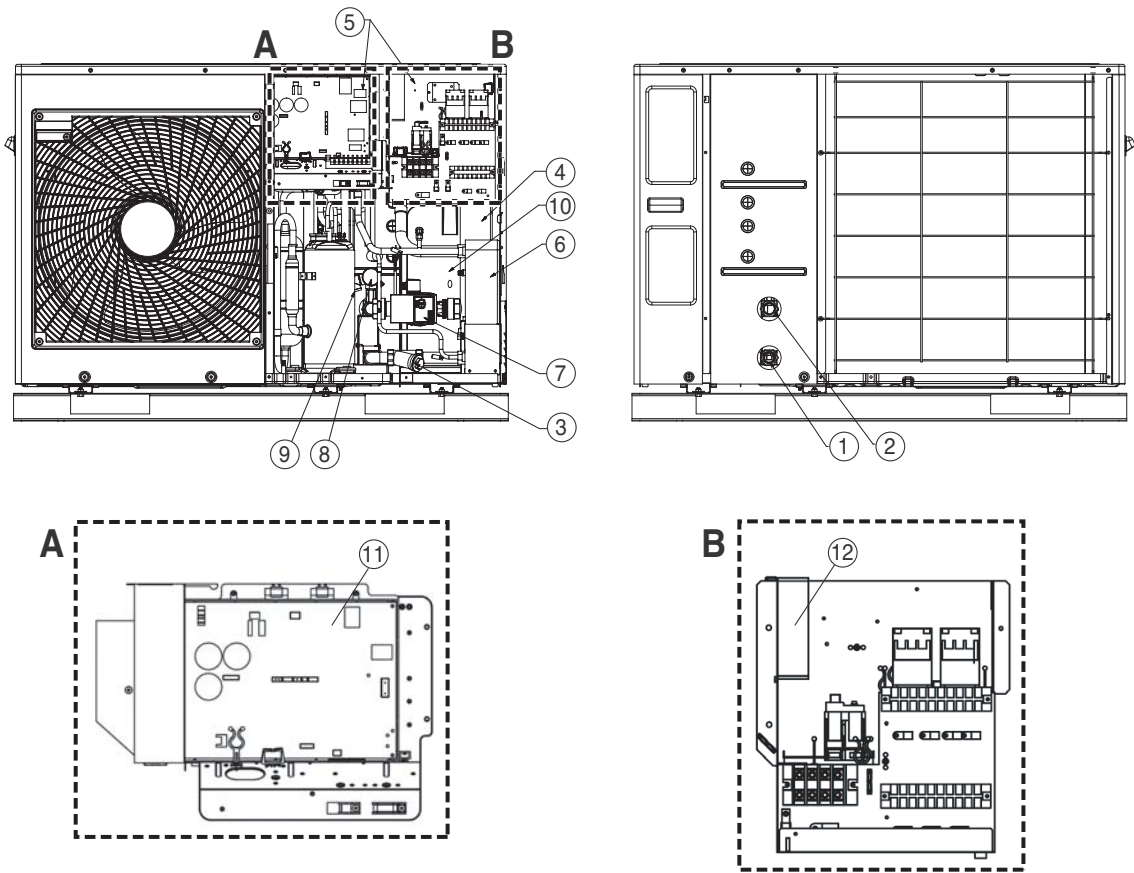
AHBW056A0
 AHBW076A0
 AHBW096A0



AHBW126A0
 AHBW146A0
 AHBW166A0

Cycle compartment

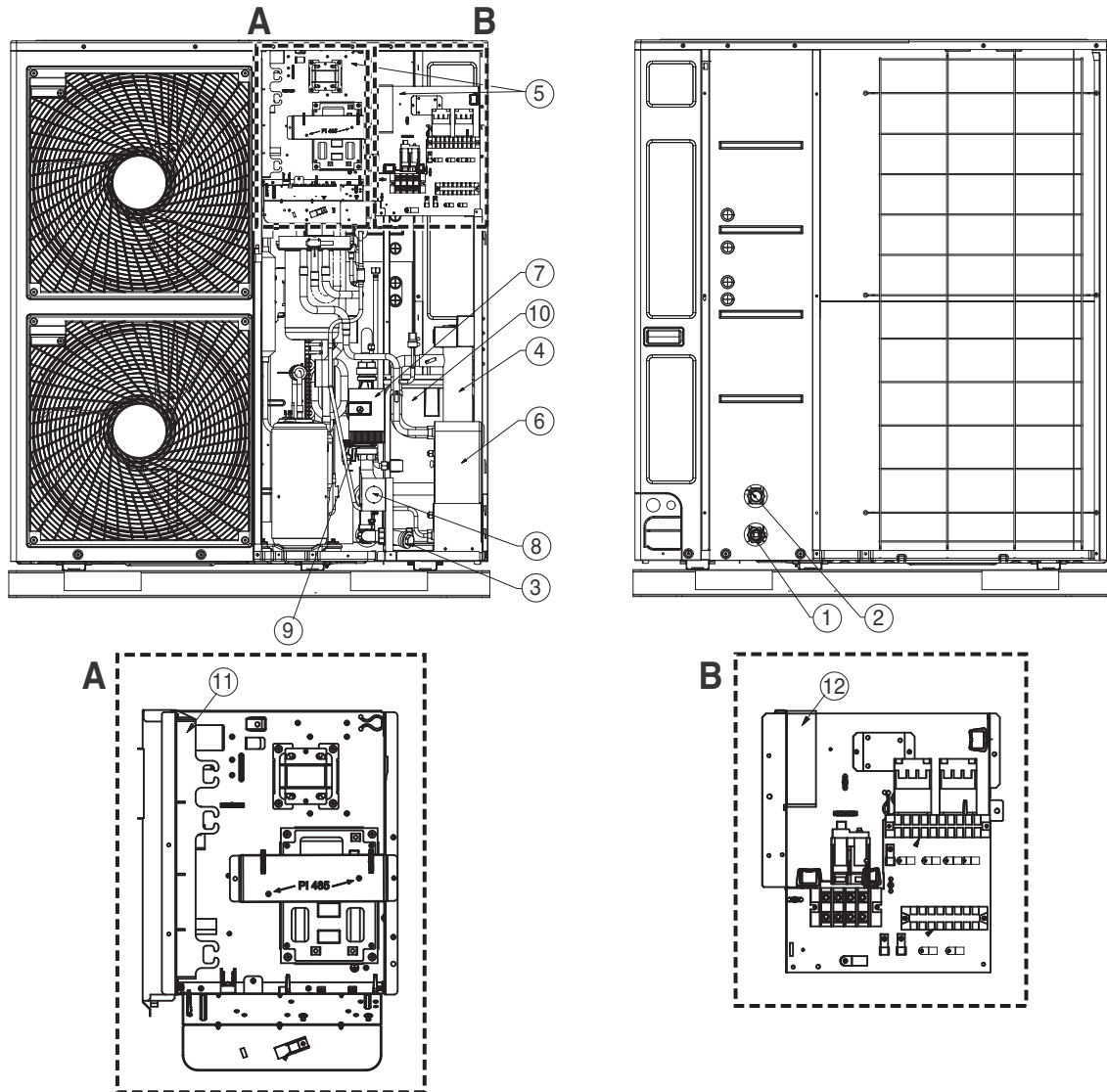
AHBW056A0/AHBW076A0/AHBW096A0



Description

No	Name	Remarks
1	Entering water pipe	PT 25.4mm(Female type)
2	Leaving water pipe	PT 25.4mm(Female type)
3	Strainer	Filtering and stacking particles inside circulating water
4	Electronic heater	Providing additional heating capacity to the water circuit
5	Control box	PCB and terminal blocks
6	Plate heat exchanger	Heat exchange between refrigerant and water
7	Water pump	Circulating the water
8	Pressure gage	Indicates circulating water pressure
9	Safety valve	Open at water pressure 3 bar
10	Expansion vassel	Protecting components from water pressure
11	Main PCB assembly(Inverter)	This PCB controls the cycle parts of the unit
12	Main PCB assembly(Heater)	This PCB controls the functioning of the unit

AHBW126A0/AHBW146A0/AHBW166A0

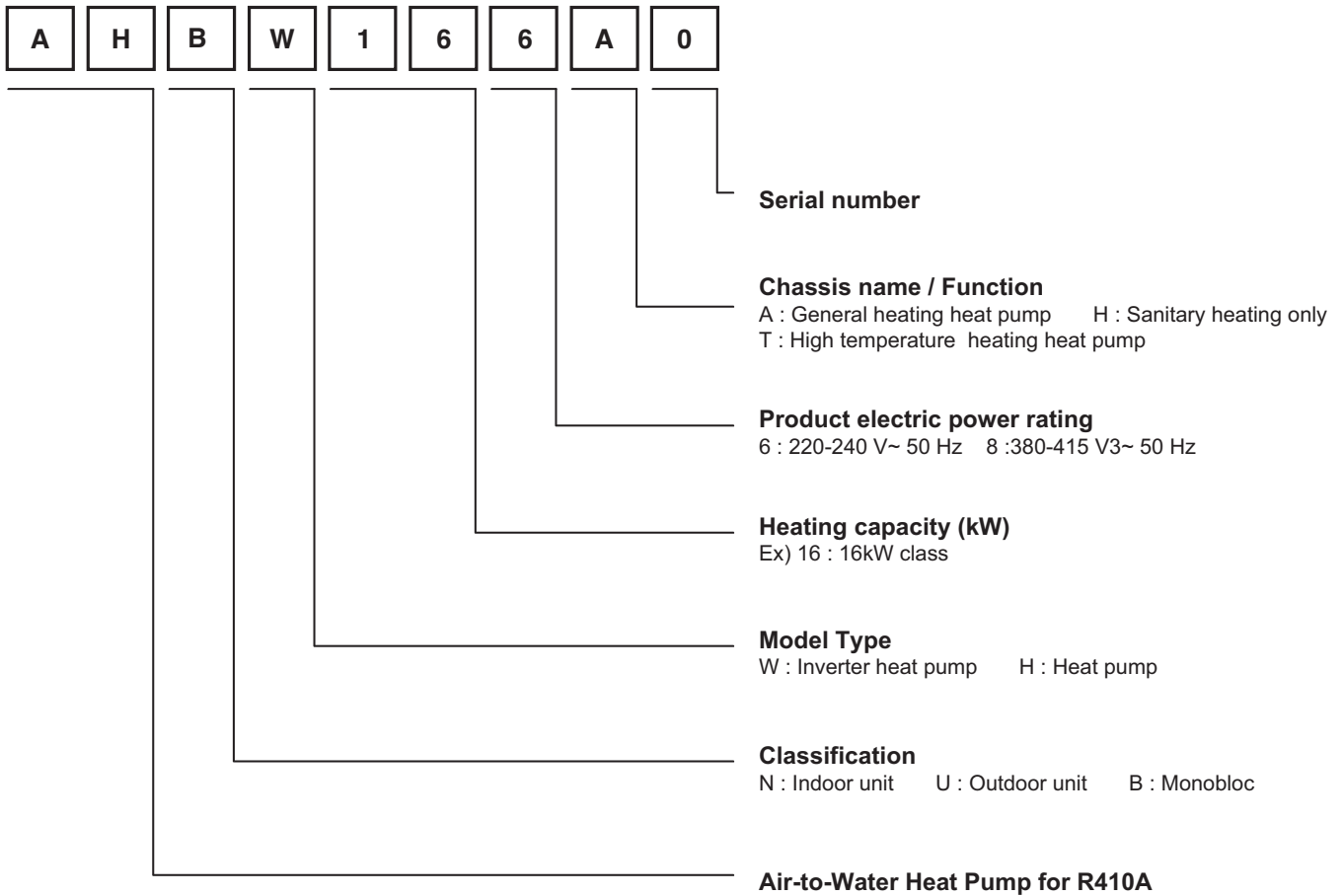


Description

No	Name	Remarks
1	Entering water pipe	PT 25.4mm(Female type)
2	Leaving water pipe	PT 25.4mm(Female type)
3	Strainer	Filtering and stacking particles inside circulating water
4	Electronic heater	Providing additional heating capacity to the water circuit
5	Control box	PCB and terminal blocks
6	Plate heat exchanger	Heat exchange between refrigerant and water
7	Water pump	Circulating the water
8	Pressure gage	Indicates circulating water pressure
9	Safety valve	Open at water pressure 3 bar
10	Expansion vassel	Protecting components from water pressure
11	Main PCB assembly(Inverter)	This PCB controls the cycle parts of the unit
12	Main PCB assembly(Heater)	This PCB controls the functioning of the unit

3. Nomenclature

Model number nomenclature



Category	Function	AHBW126A0/AHBW146A0/AHBW166A0
Installation	Drain pump	-
	E.S.P. control	-
	Indoor Box	-
	High ceiling operation	-
Reliability	Hot start	-
	Self diagnosis	O
	Soft dry operation	-
	Defrost / Deicing	O
	sensor	O
	Phase protection	-
	Restart delay (3-minutes)	O
	Self diagnosis	O
	Soft start	-
	Test function	-
Convenience	Auto changeover	-
	Auto cleaning	-
	Auto operation(artificial intelligence)	-
	Auto restart operation	O
	Child lock	O
	Forced operation	-
	Group control	-
	Sleep mode	-
	Timer(on/off)	O
	Timer(weekly)	O
Individual control	Two thermistor control	-
	Standard wired remote controller (control panel)	O
	Deluxe wired remote controller	-
	Simple wired remote controller	-
	Simple Wired remote controller (for hotel use)	-
	Wireless remote controller (simple)	-
CAC network function	Wireless LCD remote control	-
	General central controller (Non LGAP)	-
	Dry contact (PQDSA)	O
	Network Solution (LGAP)	O
	PDI(power distribution indicator)	-
Special function kit	PI 485	PMNFP14A0
	Zone control	-
	CTIE	-
	Electronic thermostat	-
Others	Low ambient operation	-
	Remote room temperature sensor (TH8)	PQRSTA0
AWHP	Thermistor	-
	Water Pump ON / OFF Control	O
	Flow Switch Control	O
	Thermostat Interface (230 V AC)	O
	Sanitary Tank Heating	O
	PHEX Anti-Freezing Control	O
	Water Pump Forced Operation	O
	Autosetting according to Ambient Temperature	O
	Silent Operation	O
	Anti-overheating of Water Pipe	O
Emergency Operation	O	
Screed drying	O	

Notes

O : Applied, X : Not applied

Accessory model name : Installed at field, ordered and purchased separately by the corresponding model name, supplied with separate package.

Part 2

Features & Controls

1. List of Function	11
2. Features & Controls	12
3. Test Run.....	34

1. List of Function

Category	Function	AHBW056A0/AHBW076A0/AHBW096A0
Installation	Drain pump	X
	E.S.P. control	X
	Indoor Box	X
	High ceiling operation	X
Reliability	Hot start	X
	Self diagnosis	O
	Soft dry operation	X
	Defrost / Deicing	O
	High pressure sensor	O
	Phase protection	X
	Restart delay (3-minutes)	O
	Self diagnosis	O
	Soft start	X
	Test function	X
	Convenience	Auto changeover
Auto cleaning		X
Auto operation (artificial intelligence)		X
Auto restart operation		O
Child lock		O
Forced operation		X
Group control		X
Sleep mode		X
Timer (on/off)		O
Timer (weekly)		O
Two thermistor control		X
Individual control	Standard wired remote controller (control panel)	O
	Deluxe wired remote controller	X
	Simple wired remote controller	X
	Wired remote controller (for hotel use)	X
	Wireless remote controller (simple)	X
	Wireless LCD remote control	X
CAC network function	General central controller (Non LGAP)	X
	Dry contact (PQDSA)	O
	Network Solution (LGAP)	O
	PDI (power distribution indicator)	X
	PI 485	X
Special function kit	Zone control	X
	CTIE	X
	Electro thermostat	X
	Low ambient operation	X
Others	Remote room temperature sensor (TH8)	PQRSTA0
	Thermistor	X
AWHP	Water Pump ON / OFF Control	O
	Flow Switch Control	O
	Thermostat Interface (230 V AC)	O
	Sanitary Tank Heating	O
	PHEX Anti-Freezing Control	O
	Water Pump Forced Operation	O
	Autosetting according to Ambient Temperature	O
	Silent Operation	O
	Anti-overheating of Water Pipe	O
	Emergency Operation	O
Screed drying	O	

Notes

O : Applied, X : Not applied, - : No relation

* Accessory: Installed at field, ordered and purchased separately by the corresponding model name, supplied with separate package.

Category	Function	AHBW126A0/AHBW146A0/AHBW166A0
Installation	Drain pump	X
	E.S.P. control	X
	Indoor Box	X
	High ceiling operation	X
Reliability	Hot start	X
	Self diagnosis	O
	Soft dry operation	X
	Defrost / Deicing	O
	sensor	O
	Phase protection	X
	Restart delay (3-minutes)	O
	Self diagnosis	O
	Soft start	X
Test function	X	
Convenience	Auto changeover	X
	Auto cleaning	X
	Auto operation(artificial intelligence)	X
	Auto restart operation	O
	Child lock	O
	Forced operation	X
	Group control	X
	Sleep mode	X
	Timer(on/off)	O
	Timer(weekly)	O
Two thermistor control	X	
Individual control	Standard wired remote controller (control panel)	O
	Deluxe wired remote controller	X
	Simple wired remote controller	X
	Simple Wired remote controller (for hotel use)	X
	Wireless remote controller (simple)	X
	Wireless LCD remote control	X
CAC network function	General central controller (Non LGAP)	X
	Dry contact (PQDSA)	O
	Network Solution (LGAP)	O
	PDI(power distribution indicator)	X
	PI 485	PMNFP14A0
Special function kit	Zone control	X
	CTIE	X
	Electronic thermostat	X
	Low ambient operation	X
Others	Remote room temperature sensor (TH8)	PQRSTA0
	Thermistor	X
AWHP	Water Pump ON / OFF Control	O
	Flow Switch Control	O
	Thermostat Interface (230 V AC)	O
	Sanitary Tank Heating	O
	PHEX Anti-Freezing Control	O
	Water Pump Forced Operation	O
	Autosetting according to Ambient Temperature	O
	Silent Operation	O
	Anti-overheating of Water Pipe	O
	Emergency Operation	O
Screed drying	O	

Notes

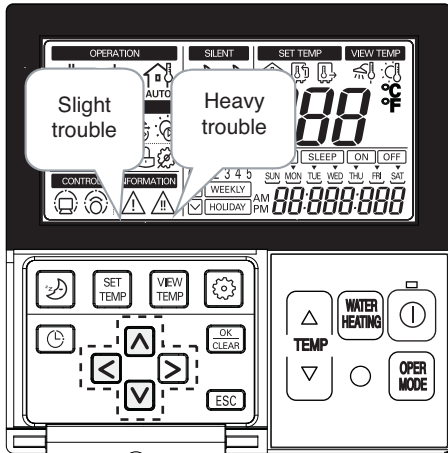
O : Applied, X : Not applied

Accessory model name : Installed at field, ordered and purchased separately by the corresponding model name, supplied with separate package.

2. Feature & Controls

1. Summarized Features

1.1 Emergency Control



Easy checking of system failure

- Slight / Heavy trouble

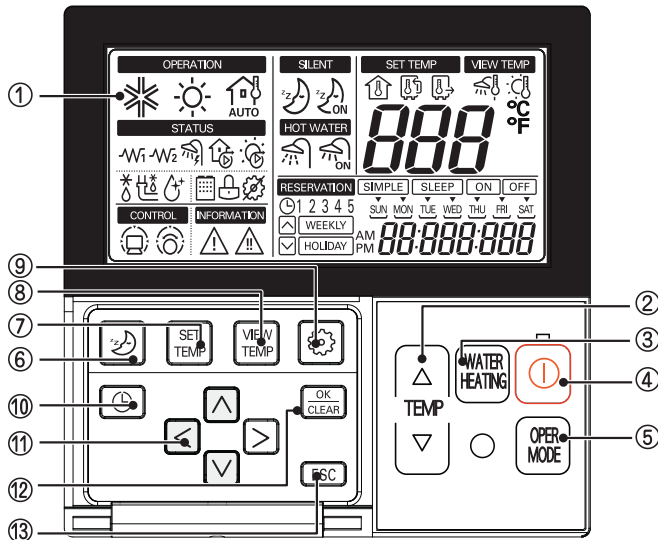


Emergency operating

- Heavy trouble
- Electric heater ON
- Secure at least heating before A/S

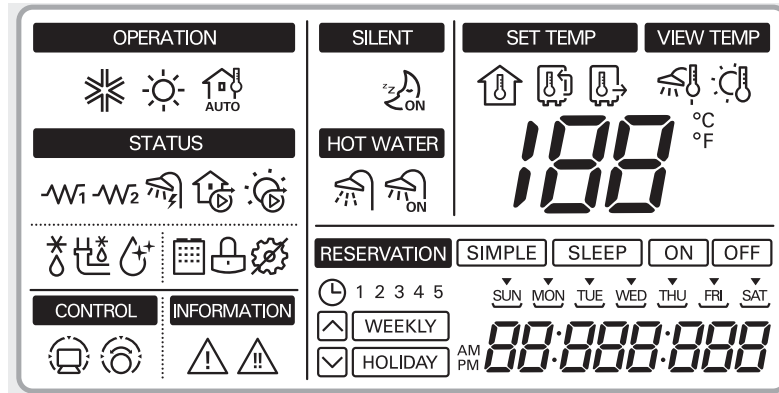
1.2 Remote controller

• Controller Configuration



No	Name
1	Display
2	Change Temperature Button
3	Water Heating Enable / Disable Button
4	Power Button
5	Operation Mode Selection Button
6	Silent Mode On / Off Button
7	Temperature Setting Mode Button
8	Temperature View Mode Button
9	Function Setting Button
10	Programming Button
11	Direction Button (Up, Down, Left, Right)
12	Set / Clear button
13	ESC Button

• Display Panel



	Cooling		Electric Heater (2)		Defrost
	Heating		Water Tank Electric Heater		Water-Pipe Anti Freezing
	Weather-dependent Heating		Water Pump		Water Tank Disinfection
	Space Temp.		Solar Thermal circulation pump		Outdoor Unit
	Water Inlet Temp.		Water Tank Heating Enable / Disable		Child Lock
	Water Outlet Temp.		Water Tank Heating (by Heat Pump)		Not Available Function
	Central Controller		Silent Mode ON / OFF		Slight Trouble
	Thermostat		Water Tank Temp.		Heavy Trouble
	Electric Heater (1)		Solar Heating Temp.		

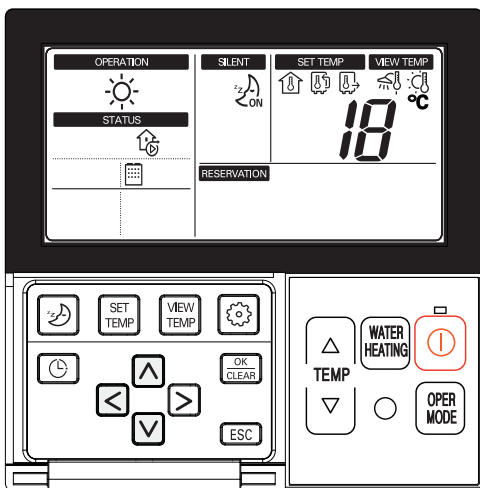
2. Special Function

2.1 Child Lock Function

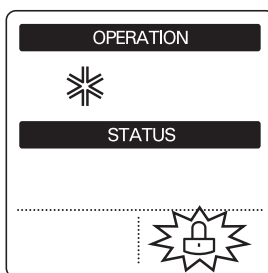
This function prevents children or others from tampering with the control buttons on the unit.

- All the buttons on indoor display panel will blocked.

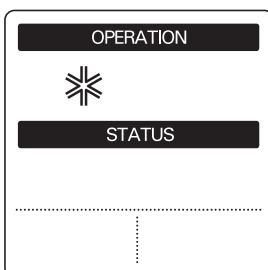
The function is used to restrict children to not to use the AWHP carelessly.(CL is an abbreviated form of Child Lock.)




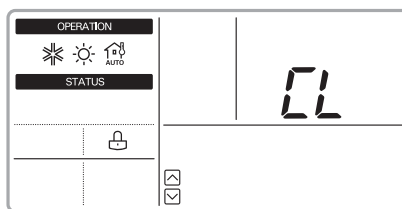
- 1** Press Function Setting button to enter user setting mode.
(The segment will be flashed)

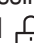


- 2** Press OK / CLEAR button to finish the selection. The segment will be disappear.



- 3** During Child Lock,  icon and 'CL' will be displayed during 3 seconds whenever entering any kind of buttons except for view temperature button and setting/clear button .



- 4** To release this setting, pressing function setting button until  icon flash and then enter setting/clear button.



2.2 Sleep Timer Operation

- When the sleep time is reached after <1,2,3,4,5,6,7,0(cancel) hr> is input by the control panel while in appliance operation, the operation of the appliance stops.
- While the appliance is on pause, the sleep timer mode cannot be input.

2.3 Timer (On / Off)

2.3.1 On-Timer Operation

- When the set time is reached after the time is input by the control panel, the appliance starts to operate.
- The timer LED is on when the on-timer is input. It is off when the time set by the timer is reached.
- If the appliance is operating at the time set by the timer, the operation continues.

2.3.2 Off-Timer Operation

- When the set time is reached after the time is input by the control panel, the appliance stops operating.
- The timer LED is on when the off-timer is input. It is off when the time set by the timer is reached.
- If the appliance is on pause at the time set by the timer, the pause continues.

2.4 Weekly Program

- If necessary, an operator can make an On / Off reservation of the product for a period of one week.
- On / Off schedule of operation for a period of one week.
- No need to turn the unit On / Off manually during working days.
On / Off time is scheduled in micom of the wired remote control.

Operation Time Table (Example)

Setting	Mon	Tue	Wed	Thu	Fri	Sat	Sun
Temp.	25 °C	25 °C	25 °C	25 °C	25 °C	Off	
On	09:00	08:00	09:00	08:00	09:00		
Off	12:00	17:00	12:00	12:00	12:00		

2.5 Sanitary Tank Heating Scheduler & Sanitary Tank Heater Scheduler

- If necessary, enable or disable of sanitary tank heating or sanitary tank heater can be programmed according to user's specific time.
- Schedulers are operating everyday.

2.6 Silent mode operation

- If necessary, enable or disable of silent mode can be programmed according to user's specific time.

2.7 Screed drying

- If necessary, enable or disable of screed drying can be programmed according to user's setting.
- While the screed drying mode is operating, "Dry" is displayed.

3. System Set-up

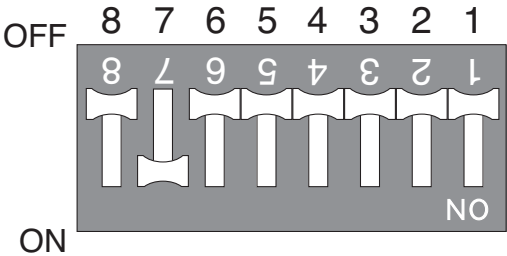
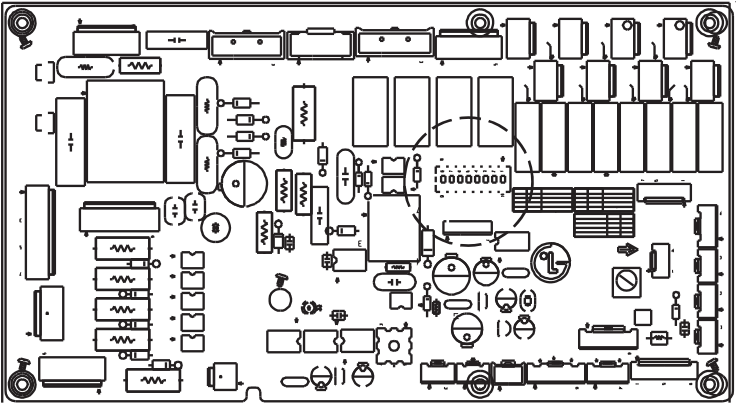
The **THERMAV** Heatpump is designed to satisfy various installation environment, it is important to set up system correctly. If not configured correctly, improper operation or degrade of performance can be expected.

3.1 DIP Switch Setting

⚠ CAUTION

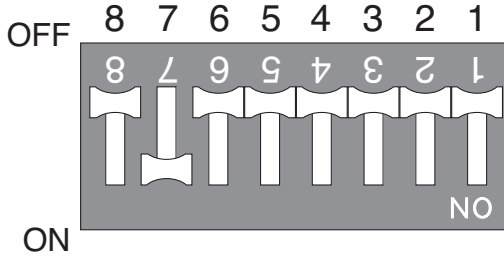
- Turn off electric power supply before setting DIP switch.
- Whenever adjusting DIP switch, turn off electric power supply to avoid electric shock.

General information



DIP switch information

- If you set Dip switch when power is on, the changed setting will not be applied immediately. The changed setting will be enabled only when Power is reset or by pressing Reset button.



Description	Setting	1	2	3	4	5	6	7	8
Role when central controller is equipped.	As Master	X							
	As slave	●							
Accessory installation information	Unit only		X	X					
	Unit + Sanitary water tank is installed.		X	●					
	Unit + Sanitary water tank + Solar thermal system is installed.		●	X					
Emergency operation Level.	High temperature cycle				X				
	Low temperature cycle				●				
External water pump installation information.	External water pump is NOT installed.					X			
	External water pump is installed.					●			
Selecting electric heater capacity.	Step 2 capacity is used.						X	X	
	Step 1 capacity is used.						X	●	
	Electric heater is not used.						●	X	
Thermostat installation information.	Thermostat is NOT installed.								X
	Thermostat is installed.								●
Default		X	X	X	X	X	X	●	X



CAUTION

1. "X" mark means dip switch must be off. Otherwise the function may not operate correctly.
2. If each dip switch doesn't set correctly, unit will operate abnormally.

! NOTICE

Emergency operation

• Definition of terms

- **Trouble** : a problem which can stop system operation, and can be resumed temporarily under limited operation without certificated professional's assist.
- **Error** : problem which can stop system operation, and can be resumed ONLY after certificated professional's check.
- **Emergency mode** : temporary heating operation while system met trouble.

• Objective of introducing 'trouble'

- Not like airconditioning unit, Air-to-Water heat pump is generally operating in whole winter season without any system stopping.
- If system found some problem, which is not critical to system operating for yielding heating energy, the system can temporarily continue in emergency mode operation with end user's decision.

• Classified trouble

- Trouble is classified two levels according to the seriousness of the problem : Slight Trouble and heavy trouble
- **Slight trouble** : Sensor trouble.
- **Heavy trouble** : Compressor cycle trouble.
- **Option trouble** : a problem is found for option operation such as water tank heating. In this trouble, the troubled option is assumed as if it is not installed at the system.





• Emergency operation level

- When system met trouble, it stops operation and wait for user's decision : Calling service center or starting emergency operation.
- To start emergency operation, user simply push ON / OFF button once more.
- Two different levels are prepared for emergency operation : High temperature cycle and low temperature cycle.
- In emergency operation mode, user can not adjust target temperature.

※ It can not be operated, if the electric heater accessory is not installed.

	Dip Switch (#4)	Target Leaving Water Temperature	Target Room Air Temperature	Target Sanitary Water Temperature
High temperature cycle	OFF	50 °C	24 °C	70 °C
Low temperature cycle	ON	30 °C	19 °C	50 °C




• **Following features are permitted in emergency operation :**

-  Operation On/Off
-  VIEW TEMP button(*)
-  Temperature adjust button (*)
-  Sanitary water heating Enable / Disable

(*) : Temperature measured by failed sensor is displayed as ‘ - - ’.

(*) : Adjusted temperature is only used to control electric heater on / off condition.
The unit does not turn on / off according to the setting temperature at the remote controller.
It turns on / off according to the thermostat signal.

• **Following features are NOT permitted in emergency operation :**

-  Operating mode (cooling / heating / weather-dependent) selection
-  Time scheduling
-  SET TEMP button

• **Duplicated trouble : Option trouble with slight or heavy trouble**

If option trouble is occurred with slight (or heavy) trouble at the same time, the system puts higher priority to slight (or heavy) trouble and operates as if slight (or heavy) trouble is occurred.
Therefore, sometimes sanitary water heating can be impossible in emergency operation mode. When sanitary water is not warming up while emergency operation, please check whether the sanitary water sensor and related wiring are connected well or not.

• **Emergency operation is not automatically restarted after main electricity power is reset.**

In normal condition, the unit operating information is restored and automatically restarted after main electricity power is reset.

But in emergency operation, automatic re-start is prohibited to protect the unit.

Therefore, user must restart the unit after power reset when emergency operation has been running.

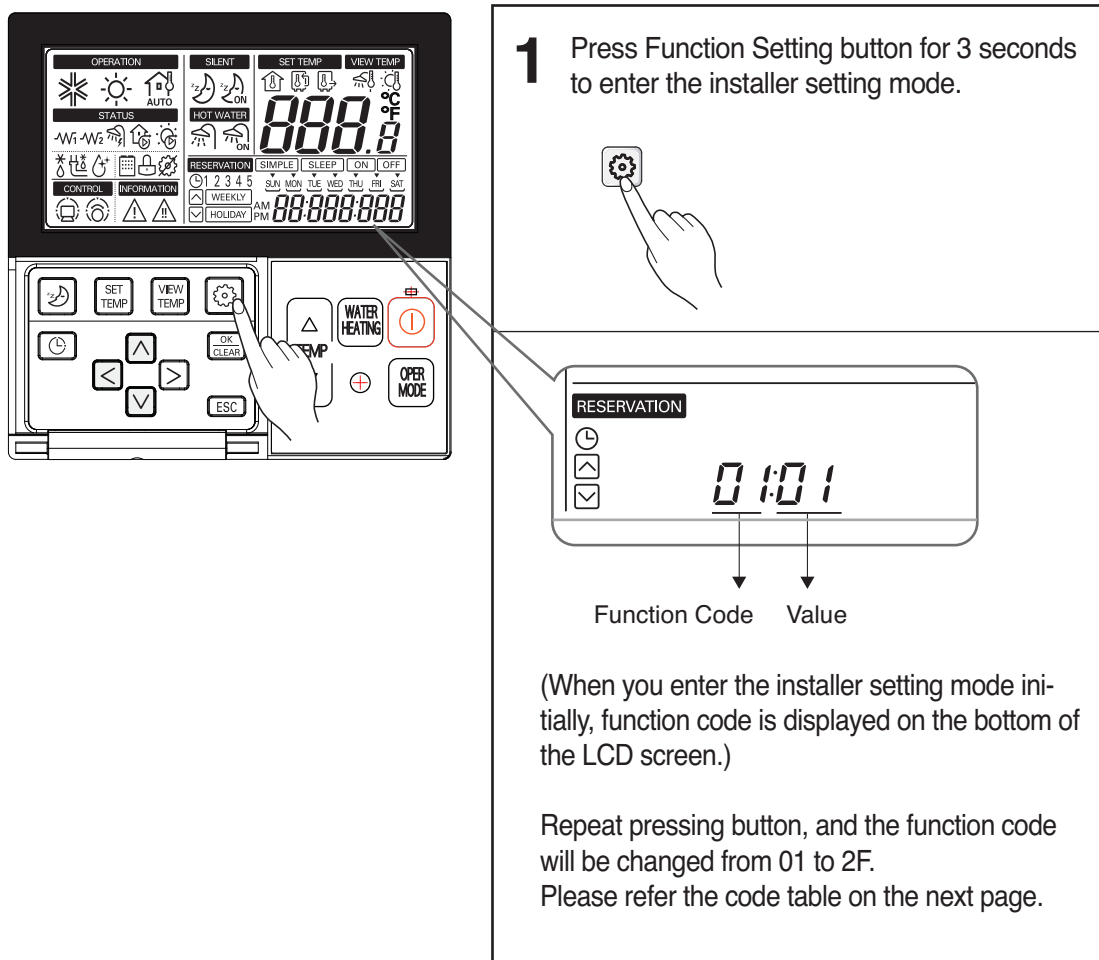
3.2 Control Panel Setting

How to enter installer setting mode

CAUTION

Installer setting mode is to set the detail function of the remote controller.

If the installer setting mode is not set correctly, it could cause problems to the unit, user injury or property damage. This must be set by a certificated installer, and any installation or change that is carried out by a non-certificated person should be responsible for the results. In this case, free service cannot be provided.



1 Press Function Setting button for 3 seconds to enter the installer setting mode.

RESERVATION

01:01

Function Code Value

(When you enter the installer setting mode initially, function code is displayed on the bottom of the LCD screen.)

Repeat pressing button, and the function code will be changed from 01 to 2F.
Please refer the code table on the next page.

Summary

Example of function code display

02:00 : 155

 ↓ ↓ ↓

 Function Code Value #1 Value #2

Code	Item	Detail	Remark	
01	Function	Additional refrigerant charging		
	Description	Instant cooling operation for charging additional refrigerant		
	Value #1	Note		-
		Default		01
		Range		-
	Value #2	Note		-
		Default		-
		Range		-
	02	Function		Disable 3 minute delay
Description		Factory use only		
Value #1		Note	-	
		Default	01	
		Range	-	
Value #2		Note	-	
		Default	-	
		Range	-	
03		Function	Remote air sensor connection	
	Description	Connection information about remote air sensor		
	Value #1	Note	01:Remote air sensor is not connected and not used. 02:Remote air sensor is connected and used.	
		Default	1	
		Range	01 ~ 02	
	Value #2	Note	-	
		Default	-	
		Range	-	
	04	Function	Celsius / Fahrenheit switching	
Description		Display temperature in Celsius or Fahrenheit		
Value #1		Note	01:Celsius 02:Fahrenheit	
		Default	1	
		Range	01 ~ 02	
Value #2		Note	-	
		Default	-	
		Range	-	

Code	Item	Detail	Remark	
05	Function	Setting temperature selection		
	Description	Selection for setting temperature as air temperature or leaving water temperature.		
	Value #1	Note		01: Air temperature 02: Leaving water temperature Air temperature as setting temperature is ONLY available when remote air sensor. Connection is enabled and Function code 03 is set as 02.
		Default		2
		Range		01 ~ 02
	Value #2	Note		-
		Default		-
		Range		-
06	Function	Auto dry contact		
	Description	Setting dry contact auto start option. If thermostat is used, value should be changed from "2" to "1".		
	Value #1	Note		01: Auto start off 02: Auto start on
		Default		2
		Range		01 ~ 02
	Value #2	Note		-
		Default		-
		Range		-
07	Function	Address setting		
	Description	Assigning address when central controller is installed If thermostat is used, value should be changed from "2" to "1".		
	Value #1	Note		-
		Default		00
		Range		00 ~ FF
	Value #2	Note		-
		Default		-
		Range		-
11	Function	Setting air temperature in cooling mode	'Setting Air Temperature' is used when user wants to set target temperature by room air temperature.	
	Description	Adjusting range of 'Setting Air Temperature' in cooling mode		
	Value #1	Note		Upper limit of setting range
		Default		30 °C
		Range		24 ~ 30 °C
	Value #2	Note		Lower limit of setting range
		Default		18 °C
Range		18 ~ 22 °C		
12	Function	Setting leaving water temperature in cooling mode	'Setting Leaving Water Temperature' is used when user wants to set target temperature by leaving (from the unit) water temperature.	
	Description	Adjusting range of 'Setting Leaving Water Temperature' in cooling mode		
	Value #1	Note		Upper limit of setting range
		Default		24 °C
		Range		20 ~ 25 °C
	Value #2	Note		Lower limit of setting range (FCU is equipped)
		Default		06 °C
Range		06 ~ 18 °C		

Code	Item		Detail	Remark
12	Value #2	Note	Lower limit of setting range(FCU is not equipped)	
		Default	16 °C	
		Range	16 ~ 18 °C	
13	Function		Setting air temperature in heating mode	'Setting air temperature' is used when user wants to set target temperature by room air temperature.
	Description		Adjusting range of 'Setting Air Temperature' in heating mode	
	Value #1	Note	Upper Limit of setting range	
		Default	30 °C	
		Range	24 ~ 30 °C	
	Value #2	Note	Lower Limit of setting range	
		Default	16 °C	
Range		16 ~ 22 °C		
14	Function		Setting leaving water temperature in heating mode	'Setting leaving Water temperature' is used when user wants to set target temperature by leaving(from the unit) water temperature. * : Electric heater is not used
	Description		Adjustin range of 'Setting Leaving Water Temperature' in heating mode	
	Value #1	Note	Upper Limit of setting range	
		Default	55 °C	
		Range	35 ~ 57 °C	
	Value #2	Note	Lower Limit of setting range	
		Default	15 °C (*20 °C)	
Range		15 ~ 34 °C (*20 ~ 34 °C)		
15	Function		Setting sanitary tank leaving water temperature for Sanitary water heating	'Setting Sanitary Tank Leaving Water Temperature' is used when user wants to set water temperature of Sanitary Tank.
	Description		Adjusting range of 'Setting Sanitary Tank Leaving Water Temperature' in sanitary water heating mode	
	Value #1	Note	Upper Limit of setting range	
		Default	50 °C	
		Range	50 ~ 80 °C	
	Value #2	Note	Lower Limit of setting range	
		Default	40 °C	
Range		30 ~ 40 °C		
18	Function		Screed drying mode	
	Description		After installing water pipes for under floor heating, user can select screed drying mode for curing the cement	
	Value #1	Note	00: Screed drying mode is not connected and not used. 01:Remote air sensor is connected and used.	
		Default	01	
		Range	00 ~ 01	
	Value #2	Note	-	
		Default	-	
Range		-		

Code	Item	Detail		Remark	
21	Function	Setting electric heater on / off temperature		DIP Switch setting is described in Chapter 6 of Installation Manual.	
	DIP switch setting	No.6 = Off No.7 = On	No.6 = Off No.7 = Off		
	Description	Setting for using Step 1 capacity of electric heater	Setting for using Step 2 capacity of electric heater		
	Value #1	Note	Outdoor air temperature where Step 1 capacity of electric heater starts operation.		Base outdoor air temperature
		Default	0 °C		
		Range	-15 ~ 18 °C		
	Value #2	Note	Not used		Temperature gap (it means 'how much colder than base outdoor air temperature?')
		Default	-		0 °C
		Range	-		0 ~ 33 °C
	22	Function	Setting cut-off temperature in cooling mode (FCU setting included)		
Description		Determine leaving water temperature when the unit is turned off. This function is used for preventing condensation on the floor in cooling mode.			
Value #1		Note	Cut-off temperature. Value #1 is valid when Value #2 is '01 (that means, FCU is installed)!."		
		Default	16 °C		
		Range	16 ~ 25 °C		
Value #2		Note	Determines if FCU is installed or not. '01' means 'FCU is not installed', and '00' means 'FCU is installed.'		
		Default	00		
	Range	00(Equipped) ~ 01(not Equipped)			
23	Function	Setting outdoor temperature range for weather-dependent operation			
	Description	Setting outdoor Max/Min temperature for weather-dependent operation			
	Value #1	Note	Upper Limit of setting range		
		Default	-10 °C		
		Range	-20 ~ 05 °C		
	Value #2	Note	Lower Limit of setting range		
		Default	15 °C		
Range		10 ~ 20 °C			
24	Function	Setting indoor air temperature range for weather-dependent operation			
	Description	Setting indoor Max/Min temperature for weather-dependent operation			
	Value #1	Note	Upper limit of setting range		
		Default	21 °C		
		Range	20 ~ 30 °C		
	Value #2	Note	Lower limit of setting range		
		Default	16 °C		
Range		16 ~ 19 °C			

Code	Item	Detail	Remark	
25	Function	Setting leaving water temperature range for weather-dependent operation	* : Electric heater is not used	
	Description	Setting leaving water max / min temperature for weather-dependent operation		
	Value #1	Note		Upper limit of setting range
		Default		55 °C
		Range		35 ~ 57 °C
	Value #2	Note		Lower limit of setting range
		Default		15 °C (*20 °C)
Range		15 ~ 34 °C (*20 ~ 34 °C)		
26	Function	Setting disinfection operation	Sanitary water heating should be enable. • If sanitary water heating is disable, the disinfection mode will not be operated although Value #1 of Code 26 is set as '01'. • To use disinfection mode, sanitary water heating should be enable.	
	Description	Setting start/maintain time for disinfection		
	Value #1	Note		Enable / Disable of disinfection operation(00:Disable , 01:Enable)
		Default		00
		Range		00 ~ 01
	Value #1	Note		Starting date (Sunday:1,Monday:2, ..., Saturday:7)
		Default		06
		Range		01 ~ 07
	Value #2	Note		Starting time in 24 hours(00 ~ 23)
Default		23		
Range		00 ~ 23		
27	Function	Setting Disinfection Operation	• To use disinfection mode, sanitary water heating should be enable.	
	Description	Setting disinfection temperature		
	Value #1	Note		Maximum heating temperature
		Default		70 °C
		Range		40 ~ 80 °C
	Value #2	Note		Maximum heating duration in minute
		Default		10 min
Range		05 ~ 60 min		
28	Function	Setting control parameter for sanitary water heating operation	Only available when Sanitary Water Tank is installed.	
	Description	See below notes for each values		
	Value #1	Note		Temperature gap from Value #2 of Function Code 28
		Default		05 °C
		Range		01 ~ 20 °C
	Value #2	Note		Maximum temperature generated by AWHP compressor cycle
		Default		55 °C
Range		40 ~ 57 °C		
29	Function	Setting control parameter for sanitary water heating operation	Only available when Sanitary Water Tank is installed.	
	Description	See below notes for each values		
	Value #1	Note		Temperature gap from target sanitary water temperature. (This value is required to frequent ON and OFF of water tank heater.)
		Default		03 °C
		Range		02 ~ 04 °C
	Value #2	Note		Determining heating demand priority between sanitary water tank heating and under floor heating
		Default		00
Range		00 ~ 01		

Code	Item	Detail	Remark	
2A	Function	Miscellaneous setting		
	Description	Determine electric heater and water heater on and off		
	Value #1	Note		00: Operate both electric heater and sanitary tank heater 01: Operate only sanitary tank heater
		Default		00
		Range		00 ~ 01
	Value #2	Note		Not used
		Default		-
		Range		-
	2B	Function		Sanitary water heating timers
Description		Determine following time duration : operation time of sanitary tank heating, stop time of sanitary tank heating, and delay time of sanitary tank heater operating.		
Value #1		Note	This time duration defines how long time sanitary tank heating can be continued.	
		Default	30 min	
		Range	5 ~ 95 min (step: 5 min)	
Value #2		Note	This time duration defines how long time sanitary tank heating can be stopped. It is also regarded as time gap between sanitary tank heating cycle.	
		Default	180 min	
		Range	0 ~ 600 min (step: 30 min)	
Value #3		Note	This time duration defines how long time sanitary tank heater will not be turned on in sanitary water heating operation.	
		Default	20 min	
		Range	20 ~ 95 min (step: 5 min)	

※ Some contents may not be displayed depending on DIP switch setting in the main PCB assembly 2.

Common setting

- **Function Code 01** : Additional refrigerant charging

Function Code 01 should be performed when additional refrigerant charging is required. To charge the refrigerant, the unit must run in cooling mode. additional refrigerant charging instantly makes the unit working in cooling mode for 18 minutes.

Note : • If you press any kind of button during this mode, additional refrigerant charging mode will be finished.
• After running 18 minutes under additional refrigerant charging mode, system will automatically turn OFF.

- **Function Code 02** : Disable 3 minute delay

Factory use only.

- **Function Code 03** : Remote air sensor connection

If user connects remote air sensor to control the unit by room air temperature, the connection information should be notified to the unit.

Note : If remote air sensor is connected but this function code is not set correctly, the unit can not be controlled by room air temperature.

- **Function Code 04** : Celsius / Fahrenheit switching

Temperature is displayed in Celsius or Fahrenheit.

- **Function Code 05** : Setting temperature selection

The unit can be operated according to air temperature or leaving water temperature. The selection for setting temperature as air temperature or leaving water temperature is determined.

Note : Air temperature as setting temperature is ONLY available when remote air sensor connection is enabled and Function Code 03 is set as 02.

- **Function Code 06** : Auto dry contact

This function allows the dry contact operate under auto run mode or manual mode with remote controller.

If thermostat is used, value should be changed from "2" to "1".

- **Function Code 07** : Address setting

When central controller is installed, address assigning is set by this function.

Temperature range setting

- **Function Code 11** : Setting air temperature in cooling mode
Determine cooling setting temperature range when air temperature is selected as setting temperature.

! NOTICE

Only available when remote air temperature sensor is connected.

- Accessory PQRSTA0 should be installed.
- Also, Function Code 03 should be set properly.
- **Function Code 12** : Setting leaving water temperature in cooling mode
Determine cooling setting temperature range when leaving water temperature is selected as setting temperature.

! NOTICE

Water condensation on the floor

- While cooling operation, it is very important to keep leaving water temperature higher than 16 °C. Otherwise, dew condensation can be occurred on the floor.
- If floor is in humid environment, do not set leaving water temperature below 18 °C.

! NOTICE

Water condensation on the radiator

- While cooling operation, cold water may not flow to the radiator. If cold water enters to the radiator, dew generation on the surface of the radiator can be occurred.
- **Function Code 13** : Setting air temperature in heating mode
Determine heating setting temperature range when air temperature is selected as setting temperature.

! CAUTION

Only available when remote air temperature sensor is connected.

- Accessory PQRSTA0 should be installed.
- Also, Function Code 03 should be set properly.
- **Function Code 14** : Setting leaving water temperature in heating mode
Determine heating setting temperature range when leaving water temperature is selected as setting temperature.
- **Function Code 15** : Setting sanitary tank leaving water temperature
Determine heating setting temperature range of water tank leaving water.

! NOTICE

Only available when sanitary water tank feature is installed.

- Sanitary water tank and sanitary water tank kit should be installed.
- DIP switch No. 2 and 3 should be set properly.
- **Function Code 18** : Screed drying mode.
After installing water pipes for under floor heating, user can select screed drying mode for curing the cement.

Temperature control parameter setting and etc

- **Function Code 21** : Setting electric heater On / Off temperature

Using Step 1 capacity of electric heater : when DIP switch No. 6 and 7 is set as 'OFF-ON' :

- Value #1 : outdoor air temperature where Step 1 capacity of electric heater starts operation.

- Value #2 : not used.

- Example : If Value #1 is set as '-1' and DIP switch No 6. and 7 is set as 'OFF-ON', then Step 1 capacity of electric heater will start operation when outdoor air temperature is below -1 °C and current leaving water temperature or room air temperature is much lower than target leaving water temperature or target room air temperature.

Using Step 2 capacity of electric heater : when DIP switch No. 6 and 7 is set as 'OFF-OFF' :

- Value #1 : base outdoor air temperature.

- Value #2 : not used

- Example : If Value #1 is set as '-1' and DIP switch No 6. and 7 is set as 'OFF-OFF', then step2 capacity of electric heater will start operation when outdoor air temperature is below -1 °C and current leaving water temperature or room air temperature is much lower than target leaving water temperature or target room air temperature.

- **Function Code 22** : Setting cut-off temperature in cooling mode (FCU setting included)

Determine leaving water temperature when the unit is turned off. This function is used for preventing condensation on the floor in cooling mode.

- Value #1 : cut-off temperature. Value #1 is valid when Value #2 is '01 (that means, FCU is installed)'.

- Value #2 : determines if FCU is installed or not. '01' means 'FCU is NOT installed', and '00' means 'FCU is installed.'

- Example : If Value #1 is set as '10' and Value #2 is '01' and actually FCU is NOT installed in the water loop, the unit stop operation in cooling mode when the leaving water temperature is below 10 °C.

- Example : If Value #1 is set as '10' and Value #2 is '00' and actually FCU is installed in the water loop, the Value #1 is not used and the unit do NOT stop operation in cooling mode when the leaving water temperature is below 10 °C.

! NOTICE

FCU Installation

- If FCU is used, related 2way valve should be installed and connected to the Main PCB assembly 1.
- If Value #2 is set as '00' but FCU or 2way valve is NOT installed, the unit can do abnormal operation.

• **Function Code 23, 24, and 25** : Setting weather-dependent operation

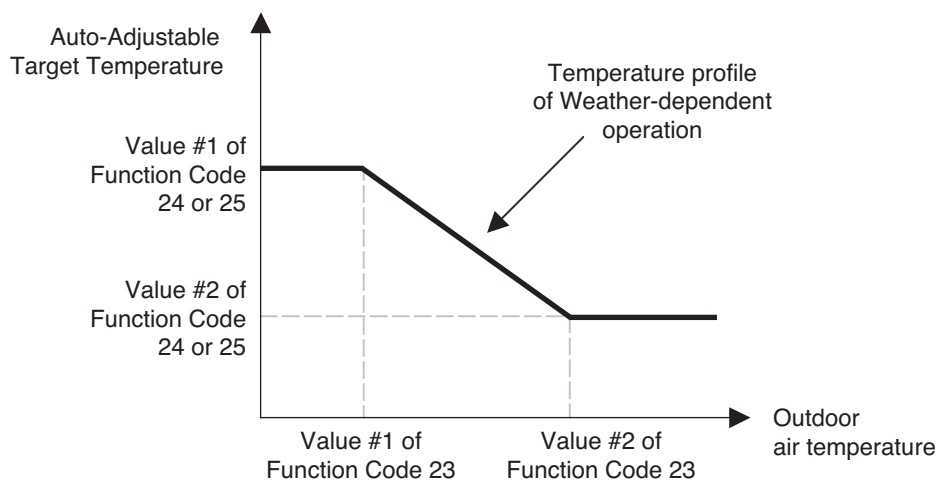
Weather-dependent operation is that the unit automatically adjusts target temperature (leaving water or room air) according to the outdoor air temperature.

- Value #1 and Value #2 of Function Code 23 : range of outdoor air temperature

- Value #1 and Value #2 of Function Code 24 : range of auto-adjustable target room air temperature

- Value #1 and Value #2 of Function Code 25 : range of auto-adjustable target leaving water temperature

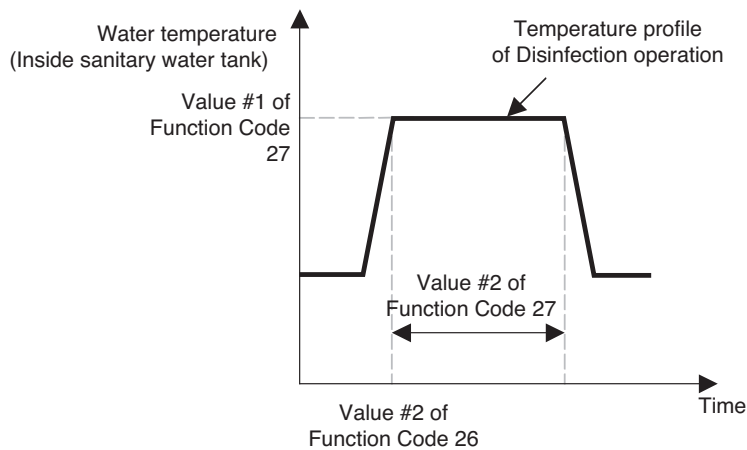
Note : Weather-dependent operation is applied for heating mode only.



• **Function Code 26 and 27** : Setting disinfection operation

Disinfection operation is special sanitary tank operation mode to kill and to prevent growth of viruses inside the tank.

- Value #1 of Function Code 26 : Selecting enable or disable of disinfection operation. '00' for disable, and '01' for enable.
- Value #2 of Function Code 26 : Determining the date when the disinfection mode is running. '01' for Sunday, '02' for Monday, ... , and '07' for Saturday.
- Value #3 of Function Code 26 : Determining the time when the disinfection mode is running. '00' for 0:00am, '01' for 01:00am, ... , '22' for 10:00pm, and '23' for 11:00pm.
- Value #1 of Function Code 27 : Target temperature of disinfection mode.
- Value #2 of Function Code 27 : Duration of disinfection mode.



! NOTICE

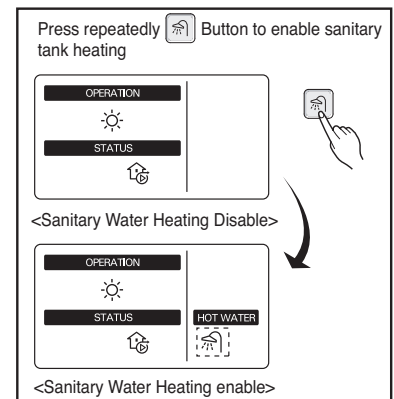
Vales of Function Code 26

- If Value #1 of Function Code 26 is set as '00', that is 'disable disinfection mode', Value #2 and Value #3 is not used.
- When Value #1 is set as '01', that is 'enable disinfection mode', Value #2 is displayed at the position of Value #1 and Value #3 is displayed at the position of Value #2. It is due to limited width of the remote controller display.

! NOTICE

Sanitary water heating should be enable.

- If sanitary water heating is disable, the disinfection mode will not be operated although Value #1 of Code 26 is set as '01'.
- To use disinfection mode, sanitary water heating should be enable.(by button input or scheduler programming)

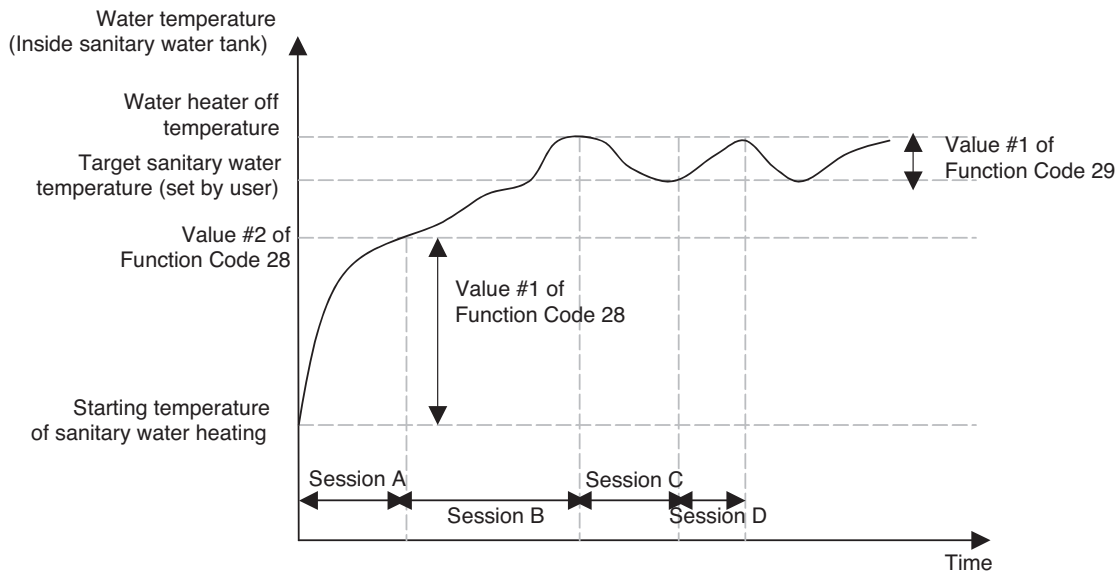


• **Function Code 28 and 29** : Setting control parameter for sanitary water heating operation

Descriptions for each parameters are as following.

- Value #1 of Function Code 28 : temperature gap from Value #2 of Function Code 28.
- Value #2 of Function Code 28 : maximum temperature generated by AWHP compressor cycle.
- Example : If Value #1 is set as '5' and Value #2 is set as '48', then Session A (see the graph) will be started when the water tank temperature is below 45 °C.... If temperature is above 48 °C..., then Session B will be started.

- Value #1 of Function Code 29 : temperature gap from target sanitary water temperature. This value is required to frequent On and Off of water tank heater.
- Value #2 of Function Code 29 : Determining heating demand priority between sanitary water tank heating and under floor heating.
- Example : If user's target temperature is set as '70' and Value #1 is set as '3', then the water tank heater will be turned off when the water temperature is above 73 °C. The water tank heater will be turned on when the water temperature is below 70 °C.
- Example : If Value #2 is set as '0', that means heating priority is on sanitary water heating, sanitary water is heated by AWHP compressor cycle and water heater. In this case the under floor can not be heated while sanitary water heating. On the other hand, if the Value #2 is set as '1', that means heating priority is on under floor heating, sanitary tank is ONLY heated by water heater. In this case the under floor heating is not stopped while sanitary water is heated.




- Session A : Heating by AWHP compressor cycle
- Session B : Heating by water heater
- Session C : No heating (Water heater is Off)
- Session D : Heating by water heater

! NOTICE

Sanitary water heating does not operate when it is disabled.

Enabling / Disabling of sanitary water heating is determined by pushing  button.

When  icon is displayed on the remote controller, sanitary water heating is enabled. (by button input or scheduler programming)

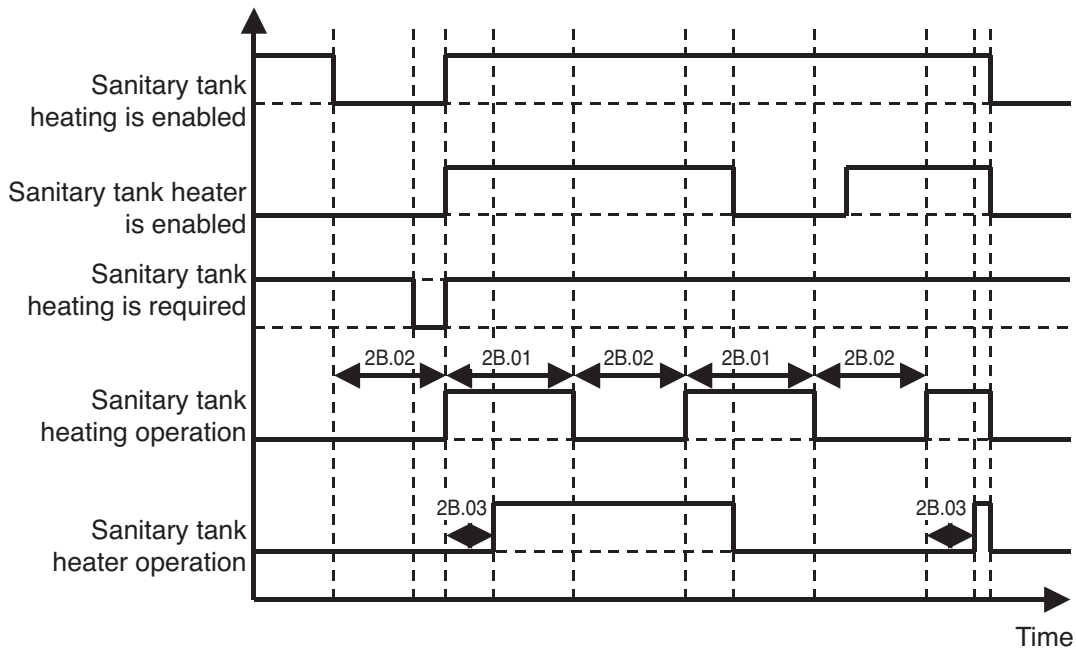
• **Function Code 2A** : Miscellaneous setting

- Value #1 of Function Code 2A : determine electric heater and sanitary tank heater on and off.
- Value #2 of Function Code 2A : not used.
- Example : If Value #1 is set as '0', then electric heater and sanitary tank heater are on and off according to control logic. If Value #1 is set as '1', then electric heater is never turned on and only water heater is on and off according to control logic.

• **Function Code 2B** : Sanitary water heating timers

Determine following time duration : operation time of sanitary tank heating, stop time of sanitary tank heating, and delay time of sanitary tank heater operating.

- Value #1 of Function Code 2B : This time duration defines how long time sanitary tank heating can be continued.
- Value #2 of Function Code 2B : This time duration defines how long time sanitary tank heating can be stopped. It is also regarded as time gap between sanitary tank heating cycle.
- Value #3 of Function Code 2B : This time duration defines how long time sanitary tank heater will not be turned on in sanitary water heating operation.
- Example of timing chart :

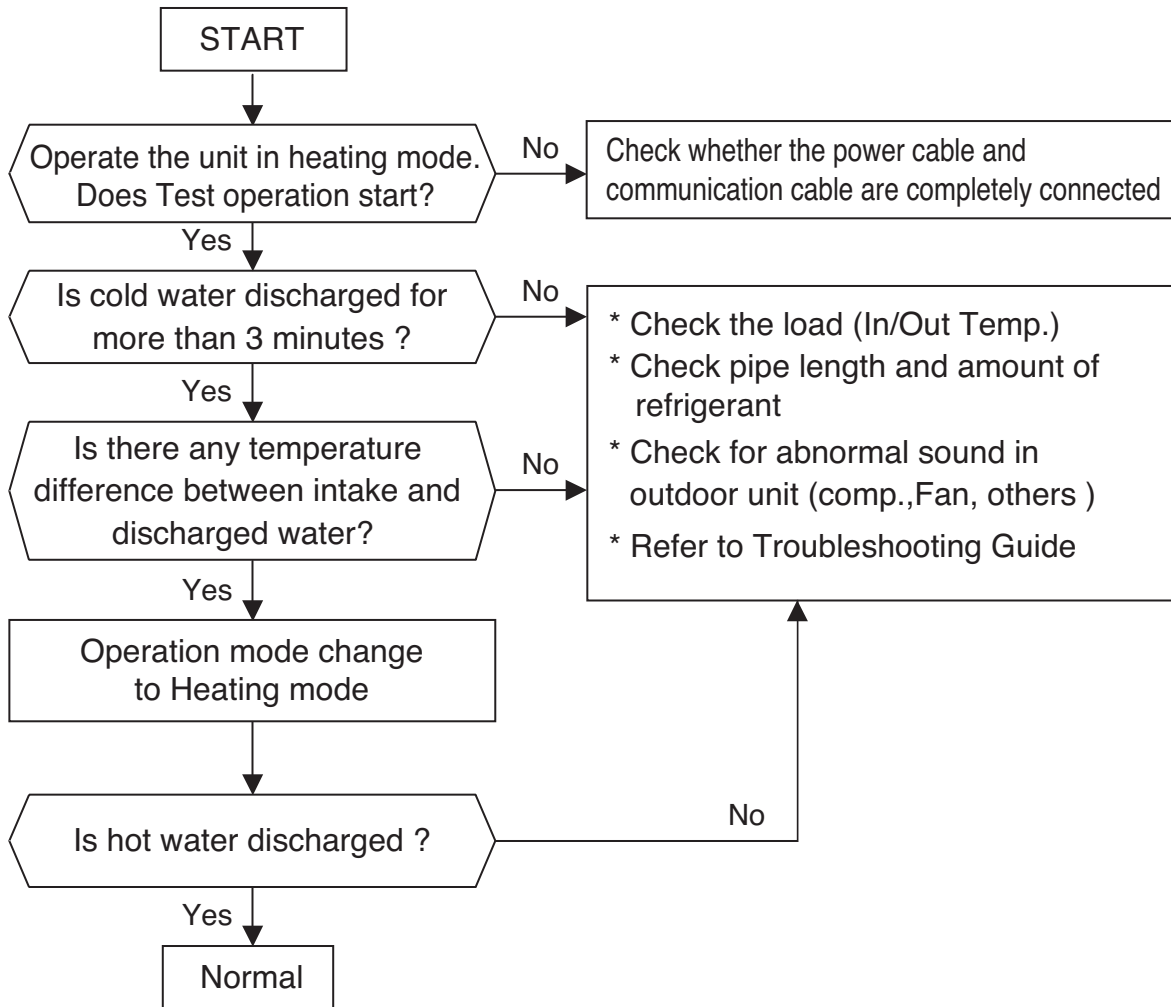


3. Test Run

1. Check before Test Run

1	Check to see whether there is any refrigerant leakage, and check whether the power or transmission cable is connected properly.
2	<p>Confirm that 500 V megger shows 2.0 MΩ or more between power supply terminal block and ground. Do not operate in the case of 2.0 MΩ or less.</p> <p>NOTE: Never carry out mega ohm check over terminal control board. Otherwise the control board may break.</p> <p>Immediately after mounting the unit or after leaving it turned off for an extended length of time, the resistance of the insulation between the power supply terminal board and the ground may decrease to approx. 2.0 MΩ as a result of refrigerant accumulation in the internal compressor.</p> <p>If the insulation resistance is less than 2.0 MΩ, turn on the main power supply.</p>

2. Test Run Flow chart



Part 3

Basic Control

1. Normal operation.....	37
2. Compressor control	37
3. EEV(Electronic Expansion Valve) control	37

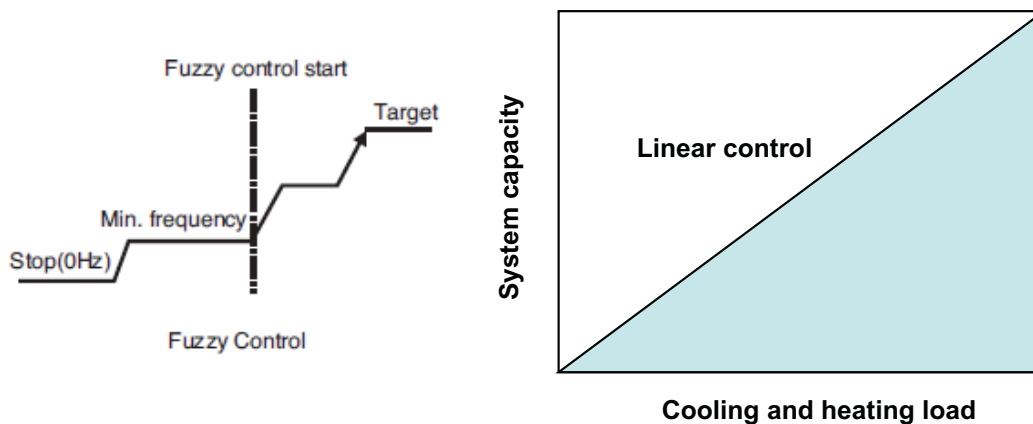
1. Normal operation

Basic principle is to control the rpm of the motor by changing the working frequency of the compressor. Three phase voltage is supplied to the motor and the time for which the voltage will supplied is controlled by IPM (intelligent power module). Switching speed of IPM defines the variable frequency input to the motor.

Actuator	Cooling operation	Heating operation	Stop state
Compressor	Fuzzy control	Fuzzy control	Stop
Fan	Fuzzy control	Fuzzy control	Stop
EEV	Super heating fuzzy control	Discharge Temp. Control	Min. Pulse

2. Compressor control

Fuzzy control : Maintain evaporating temperature (T_e) to be constant on cooling mode and constant condensing temperature (T_c) on heating mode by fuzzy control to ensure the stable system performance.



Inverter linear control as cooling and heating load increasing

3. EEV(Electronic Expansion Valve) control

EEV operates with fuzzy control rules to keep The degree of superheat (2~3°C) or the target temperature of discharge pipe.

* Cooling mode

The degree of superheat = $T_{suction} - T_{evaporator}$

$T_{suction}$: temperature at suction pipe sensor(°C)

$T_{evaporator}$: evaporation temperature (°C)

* Heating mode

the target temperature of discharge pipe = $T_{condenser} + \alpha$

$T_{condenser}$: condenser temperature (°C)

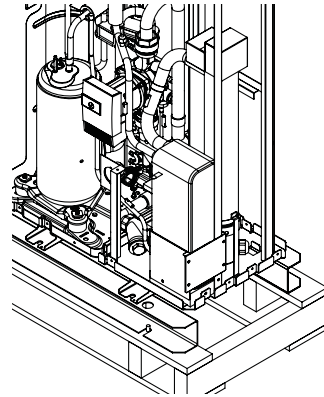
Part 4

Replacement

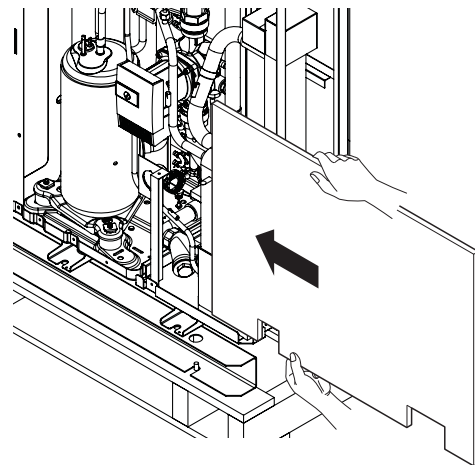
1. Replacement Procedure for Compressor	39
2. Replacement Procedure for INV PCB	40
3. Caution for Assembling Outdoor Panels after Test Run	41

1. Replacement Procedure for Compressor

1. Remove the sound proof covering the faulty compressor, and disconnect the power
2. Disconnect the brazing sections of suction pipe and discharge pipe by using brazing torch after the refrigerant has been pumped out or collected completely.
3. Remove three nuts at cushion rubber section to take out the faulty compressor outside the unit. <Figure 1>
4. Install the new compressor in the unit. (Be sure to insert the cushion rubbers before tightening the fixing nut of compressor.)
5. Remove the rubber caps put on the suction and discharge pipe of the new compressor to release the sealing nitrogen gas.
6. Braze the suction and discharge pipe with brazing torch to the compressor.
7. Conduct air tight test to check the piping system is free from leakage.
8. Connect power cable to the terminal board of compressor and cover the compressor with sound proof. <Figure 2>
9. Conduct vacuum.
10. After completion of vacuum, open the service valves. If recovery unit is used, charge refrigerant.

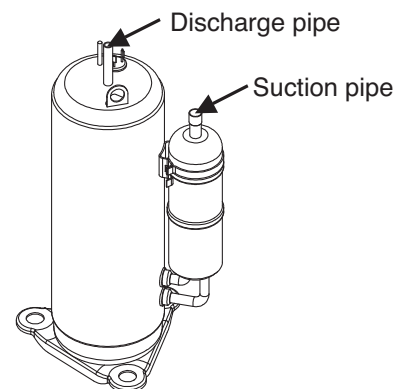


< Figure 1 >



When inserting the sound proof, be sure to insert counter-clockwise.

< Figure 2 >



2. Replacement Procedure for INV PCB

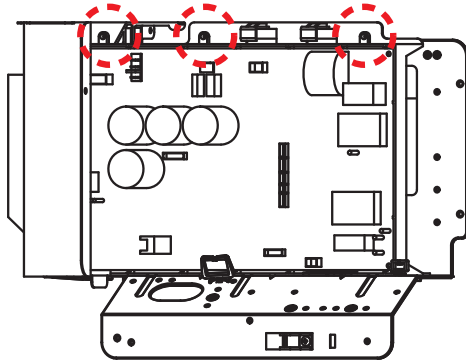
1. Disassemble panel assembly by unscrewing screws. (Figure 1.)

2. Replace PCB assembly. (Figure 2.)

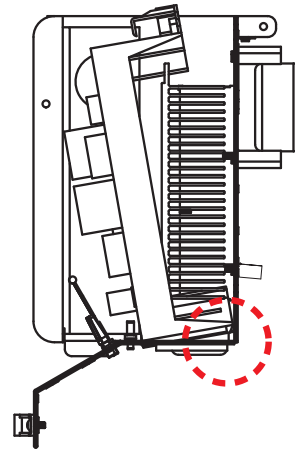
When assemble PCB assembly with control case, make sure that PCB case is inserted surely in the slit of control case.

3. Assemble panel assembly and main PCB.

AHBW056A0/AHBW076A0/AHBW096A0

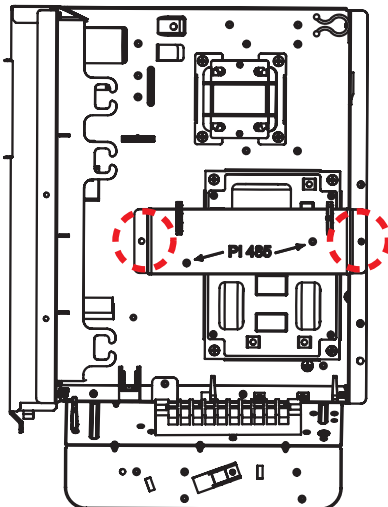


< Figure 1. >

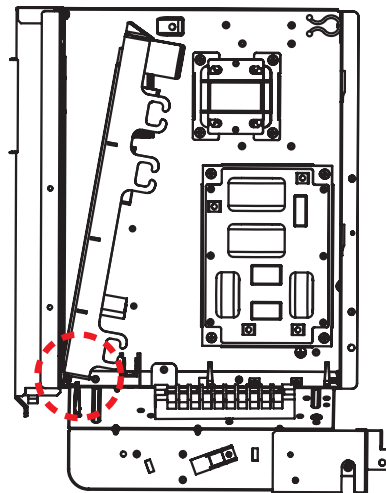


< Figure 2. >

AHBW126A0/AHBW146A0/AHBW166A0



< Figure 3. >



< Figure 4. >

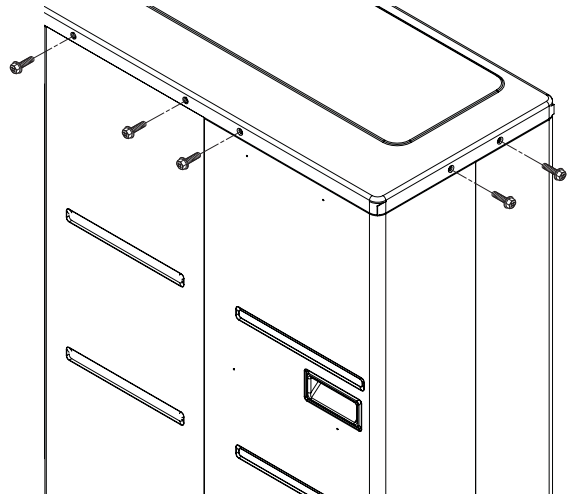
CAUTION

Be sure that PCB assembly is firmly assembled with control case.
Confirm that there is no gap between PCB case and control case.
If any gap is present, it will cause product malfunction.

3. Caution for Assembling Outdoor Panels after Test Run

When assemble the unit panels after replacement, make sure that screws of top panel are assembled as shown figure below.

If screws are not assembled, it allows rain come into control box causing defect of unit.





Part 5

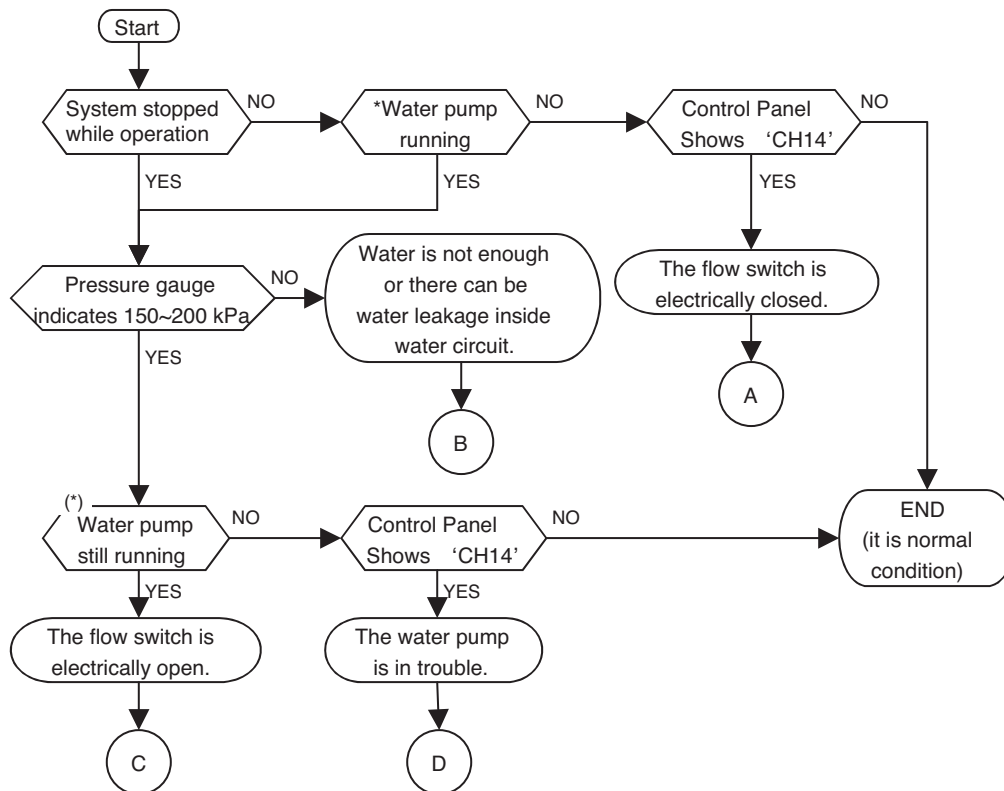
Trouble Shooting


Trouble Shooting

1. Checking Key Components of Unit.....	44
1.1 Flow Switch.....	44
1.2 Water Pump.....	45
1.3 Electric Heater.....	46
2. Self-Diagnosis Feature.....	47
2.1 Concept of ‘Classified Trouble’	47
2.2 Error Code List.....	48
3. Trouble Shooting Guidet	50

1. Checking Key Components of Unit

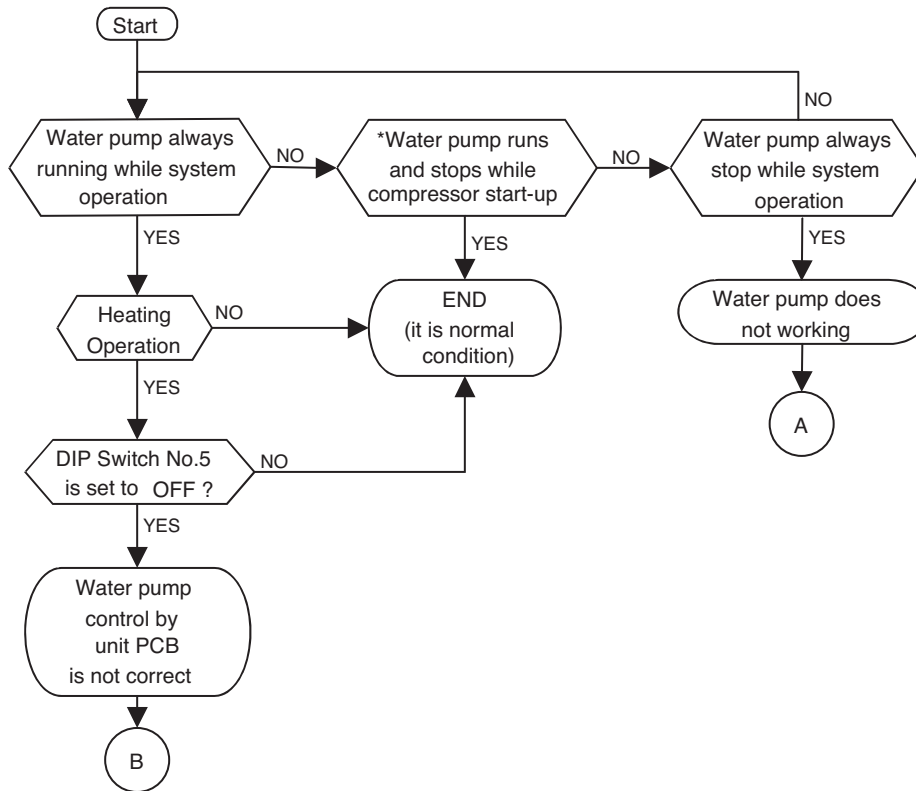
1.1 Flow Switch



*: How to identify? - Touch the terminal box (black plastic box at the water pump) of water pump and feel if the water pump is vibrating. If no vibration, the water pump is not operating. Also, you can see 'Water Pump Operating Icon()' at control panel.

- (A)
 - Although there is not water flow inside water circuit, the flow switch detects as if water is flowing. It is due to electrically closed (or short) of flow switch or the contact of flow switch is mechanically stuck.
 - Contact official After Service Center and replace the flow switch.
 - Check the air vent. If there is air in the unit, it can display "CH14". Please remove the air by using the air vent.
- (B)
 - Check if water inside water circuit is fully charged. Pressure gauge at the unit should indicate 150~200 kPa.
 - Also, as the hand of the pressure gauge is not react so fast according to water charging, check the pressure gauge again.
 - Otherwise, there can be water leakage inside water circuit. Examine if water circuit is completely sealed.
- (C)
 - Although water is well flowing, the flow switch can not detect water flow. It is due to electrically open of flow switch or the contact of flow switch is mechanically broken.
 - Contact official After Service Center and replace the flow switch.
- (D)
 - Read 'Checking Key Components of Unit – Water Pump' carefully to get more detail information.
 - Contact official After Service Center and replace the water pump.
 - Also, check the water quality if there are particles that can yield locking at the shaft of the water pump.
 - Check the air vent. If there is air in the unit, it can display "CH14". Please remove the air by using the air vent.

1.2 Water Pump




* : It is normal condition that water pump runs or stops during system operation (including compressor start-up) due to specific control logic.

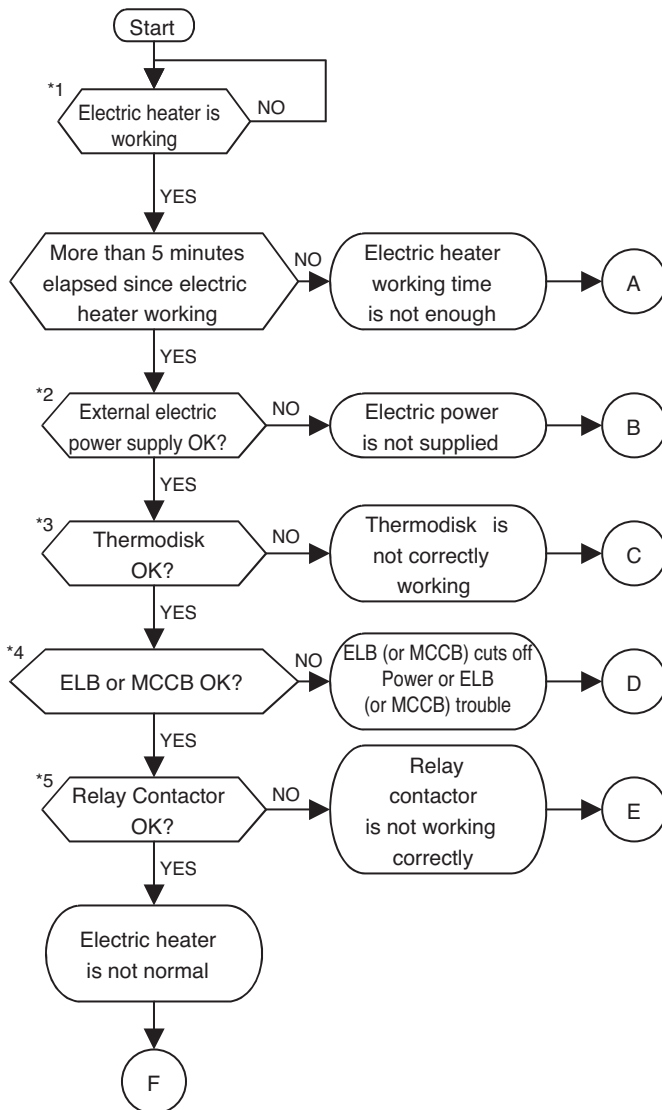
(A)

- Water pump does not because of mechanical defects of water pump or wrong wiring at the water pump.
- To correct mechanical defects, contact official After Service Center and replace the water pump.
- To correct wrong wiring, check if wires 'CN_W/PUMP (A)' connector on the unit PCB and water pump terminal box (black plastic box at the water pump) are connected firmly. Also, check wires are electrically connected by measuring resistance of each wires (if electrically connected exactly, resistance should be 0 ohm).

(B)

- Unit PCB can not make control signal or wrong wiring at the water pump.
- To correct unit PCB's making control signal, first check the signal level. Use electric voltage meter and measure voltage at 'CN_W/PUMP (A)' connector on the unit PCB. If measured value is not 220 V ~ 240 V AC while 'Water Pump Operating Icon ()' is displayed at control panel, the unit PCB is in trouble. In this case, contact official After Service Center and replace the unit PCB.
- To correct wrong wiring, please refer (A).

1.3 Electric Heater



*1 : When electric heater is working, 'Electric Heater Operating Icon ($\sim W_1$ or $\sim W_2$)' is displayed at control panel

*2 : For single-phase model : Measure electric voltage at port 3 (Live) and port 4 (Neutral) of Terminal Block 3 with voltage meter. The measured value should be 220-240 V~ AC. To identify the location of Terminal Block 3, please refer circuit diagram of unit at 'Installation Manual' or backside of front cover of the unit.

*2 : For three-phase model : Measure electric voltage at two port of 3 (R), 4 (S), and 5 (T) of Terminal Block 3 with voltage meter. The measured value should be 220-240 V~ AC or 380-415 V~ AC. To identify the location of Terminal Block 3, please refer circuit diagram of unit at 'Installation Manual' or backside of front cover of the unit.

*3 : For single-phase model : Find cover of thermodisk which is located beside air vent. Air vent is on the top of the electric heater tank. Uncover the cover by unscrewing bolts. Find two copper leads located both left and right side of the thermodisk core. Check resistance of both leads. The measured resistance should be 0 ohm. After then, check if voltage is transmitted to the thermodisk correctly. Measure electric voltage between one of the lead (Live) of the thermodisk and port 3 (Neutral) of ELB (A). The measured value should be 220-240 V~ AC.

*3 : For three-phase model : Find cover of thermodisk which is located side of electric heater tank. Uncover the cover by unscrewing bolts. Find two copper leads located both left and right side of two thermodisk core. Check resistance of both leads of each thermodisks. The measured resistance should be 0 ohm.



While uncovering the cover of the thermodisk, be careful for electric shock.

*4 : For single-phase model : Resistance between port 1 and port 2 should be 0 ohm. Also, port 3 and port 4 should be 0 ohm, too. Finally, measure electric voltage at port 2 (Live) and port 4 (Neutral) with voltage meter. The measured value should be 220V~240V AC.

*4 : For three-phase model : Resistance between port 1-to-port 2, port 3-to-port 4, and port 5-to-port 6 of MCCB (A) should be 0 ohm. Port number and location of MCCB (A) can be found circuit diagram of the unit(back side of front cover).




*5 : For single-phase model : At Relay Contactor (A), measure electric voltage at port 2 (Live) and port 6 (Neutral) with voltage meter. The measured value should be 220V~240V AC. Also, at Relay Contactor (B), measure electric voltage at port 2 (Live) and port 6 (Neutral) with voltage meter. The measured value should be 220V~240V AC.

*5 : For three-phase model : At Magnet Contact (C) or Magnet Contact (B), resistance between port L1-to-port T1, port L2-to-port T2, and port L3-to-port T3 should be 0 ohm.

- (A) • Wait for 5 minutes to heat water inside electric heater tank. If capacity of electric heater is 6kW, at least 2 centi-grade will be increased.
- (B) • For single-phase model : Check if external electricity power supply is breakout. If not, check wiring between external electricity power supply and port 3 and port 4 of Terminal Block 3. You can identify the location of Terminal Block 3 at the circuit diagram of unit.
- For three-phase model : Check if external electricity power supply is breakout. If not, check wiring between external electricity power supply and port 3, port 4, and port 5 of Terminal Block 3. You can identify the location of Terminal Block 3 at the circuit diagram of unit.
- (C) • Thermodisk is mechanically defected. In this case, contact official After Service Center and replace the thermodisk.
- Check the insulation resistance of Electric Heater.
- (D) • If the insulation resistance has improper, remove the cause of the problem and then reset the ELB (or MCCB).
- Replace the ELB (or MCCB) when the insulation resistance is suitable.
- (E) • Relay contactor is mechanically defected. In this case, contact official After Service Center and replace the relay contactor.
- (F) • Heating coil of electric heater can be damaged or wiring inside the electric heater is problem. Before replacing the electric heater, in this case, contact official After Service Center and do diagnosis about electric heater and related parts including the capacity of external electric power source. If the reason of malfunction is clearly proved as the defect of the electric heater itself, then replace it with new one.

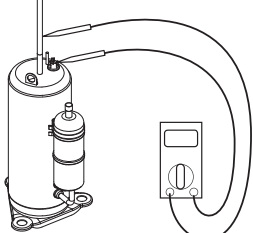
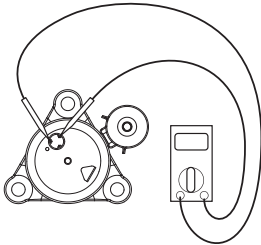
1.4 Remote Controller

To solve various troubles while using control panel, please read following FAQ (Frequently Asked Questions). For your convenience, all questions are classified according to topics.

No	Topic	Question	Answer
1	Power button does not bright	System installation is finished. Also, all wirings including power connection is all right. But when the power button in front of the control panel is pushed, it does not bright.	<ul style="list-style-type: none"> • There can be a problem in wiring between PCB and control panel. Open control box and find 'CN_REMO' connector at the PCB. If the connector is empty or nothing is connected, please connect it with end of wire which is from control panel then restart the system. • Check if external controller is connected like thermostat. If thermostat is connected to the system and it is configured exactly, you can see 'Thermostat Icon ()' at the display of the control panel. It is normal condition that power button of control panel does not work when thermostat is installed.
2	Some icons are displayed automatically	Although nobody touched control panel, sometimes it displays specific icons and the system operates automatically.	<ul style="list-style-type: none"> • It is normal condition. Basically, two features can be operated without user's decision – one is system protective operation, the other is 'background water tank heating operation', which is heating inside the water tank while space heating is not used or the system is not working. System protective operation is, as letter says, for the purpose of securing the system from worse condition. Anti-freezing operation, for example, is one of the protective operation. It is essential to start protective operation to prevent potential malfunction and to keep possible accidents. On the other hand, background water tank heating operation is not protective operation but to supply warm water to end-user. The background water tank heating operation is only started when the water tank temperature is under the specific temperature.
3	Water tank heating or related features are not permitted	Setting water tank temperature is not permitted although the water tank is installed.	<p>Following two conditions should be satisfied.</p> <ul style="list-style-type: none"> • Check if 'Water tank enable/disable' button is correctly pushed or not. To use water tank, end-user must push  button and highlight  icon. Otherwise, water tank heating is disabled. • Also, check if DIP switch setting is correct or not. To identify the DIP switch setting, open the control box inside the unit. Unless 2nd and 3rd pin of DIP switch setting is 01(OFF-ON) or 10(ON-OFF), the water tank heating will not be configured.

1.5 Compressor

Check and ensure in following order when error related with the compressor or error related with power occurs during operation:

No.	Checking Item	Symptom	Countermeasure
1	Is how long power on during operation?	1) Power on for 12 hours or more	• Go to No.2.
		2) Power on for 12 hours or less	• Go to No.2 after applying power for designated time (12 hours).
2	Does failure appears again when starting operation? Method to measure insulation resistance  Method to measure coil resistance 	1) The compressor stops and same error appears again.	• Check IPM may fail.
		2) If output voltage of the inverter is stable.	• Check coil resistor and insulation resistor. If normal, restart the unit. If same symptom occurs, replace the compressor. • Insulation resistor: 2 MΩ or more • Coil resistor: Please refer to page 76
		3) If output voltage of the inverter is unstable or it is 0 V. (When incapable of using a digital tester)	• Check the IPM. If the IPM is normal, replace the inverter board. • Check coil resistor and insulation resistor.

[Cautions when measuring voltage and current of inverter power circuit]

Measuring values may be different depending on measuring tools and measuring circuits since voltage, current in the power supply or output side of the inverter has no same waveform.

Especially, output voltage changes when output voltage of the inverter has a pattern of pulse wave.

In addition, measuring values appear largely different depending on measuring tools.

Note

1) If using a portable tester when checking the output voltage of the inverter is constant (when comparing relative voltage between lines), always use an analog tester. Especially exercise particular caution if the output frequency of the inverter is low, when using a movable tester, where change of measured voltage values is large between other lines, when virtually same values appear actually or where there is danger to determine that failure of the inverter occurred.

2) You can use rectification voltmeter (→) if using commercial frequency tester when measuring output values of the inverter (when measuring absolute values). Accurate measuring values cannot be obtained with a general portable tester (For analog and digital mode).

1.6 Fan Motor

Checking Item	Symptom	Countermeasure
<p>(1) The fan motor does not operate. Does failure appears again when starting operation?</p> <p>(2) Vibration of the fan motor is large.</p>	1) When power supply is abnormal	<ul style="list-style-type: none"> • Modify connection status in front of or at the rear of the breaker, or if the power terminal console is at frosting condition. • Modify the power supply voltage is beyond specified scope.
	2) For wrong wiring	<ul style="list-style-type: none"> • For following wiring. <ol style="list-style-type: none"> 1. Check connection status. 2. Check contact of the connector. 3. Check that parts are firmly secured by tightening screws. 4. Check connection of polarity. 5. Check short circuit and grounding.
	3) For failure of motor	<ul style="list-style-type: none"> • Measure winding resistance of the motor coils.
	4) For failure of circuit board	<p>Replace the circuit board in following procedures if problems occur again when powering on and if there are no matters equivalent to items as specified in above 1) through 4). (Carefully check both connector and grounding wires when replacing the circuit board.)</p> <ol style="list-style-type: none"> 1. Replace only fan control boards. If starting is done, it means that the fan control board has defect. 2. Replace both fan control board and the main board. If starting is done, it means that the main board has defect. 3. If problems continue to occur even after countermeasure of No.1 and No.2, it means that both boards has defect.

2. Self-Diagnosis Feature

2.1 Concept of 'Classified Trouble'

- **Definition of terms**

- Trouble : a problem which can stop system operation, and can be resumed temporarily under limited operation without certificated professional's assist.
- Error : a problem which can stop system operation, and can be resumed ONLY after certificated professional's check.
- Emergency mode : temporary heating operation while system met Trouble

- **Objective of introducing 'Trouble'**

- Not like airconditioning product, Air-to-Water heat pump is generally operating in whole winter season without any system stopping.
- If system found some problem, which is not critical to system operating for yielding heating energy, the system can temporarily continue operating in emergency mode with enduser's decision.

- **Classified trouble**

- Trouble is classified two levels according to the seriousness of the problem : Slight trouble and heavy trouble
- Slight trouble : In most case, this trouble is concerned with sensor problems. The outdoor unit is operating under emergency mode operation condition which is configured by DIP switch No. 4 of the Main PCB Assembly 1.
- Heavy trouble : As the outdoor unit has problem, the emergency mode operation is performed by electric heater.
- Option trouble : a problem is found for option operation such as water tank heating. In this trouble, the troubled option is assumed as if it is not installed at the system.

- **Emergency operation is not automatically restarted after main electricity power is reset.**

- In normal condition, the product operating information is restored and automatically restarted after main electricity power is reset.
- But in emergency operation, automatic re-start is prohibited to protect the product.
- Therefore, user must restart the product after power reset when emergency operation has been running.

2.2 Error Code List

Main PCB assembly(Heater)

Error Code	Description	Main Reasons
01 *	Problem in Remote Room Air sensor	Remote room air sensor disconnection or short circuit
02 **	Problem in Refrigerant (Inlet side) sensor	Refrigerant Inlet side sensor disconnection or short circuit
03 ****	Bad communication between control panel and unit	Connector connection error or connection wire break
05 ****	Bad communication between Indoor unit and Main PCB assembly(Inverter) and Main PCB assembly(Heater)	PCB(Heater) Unit does not receive signal from PCB(Inverter)
06 **	Problem in Refrigerant (Outlet side) sensor	Refrigerant Outlet side sensor disconnection or short circuit
08 ***	Problem in Water Tank sensor	Water tank sensor disconnection or short circuit
09 ****	PCB Program (EEPROM) Fault	Electrical or mechanical damage at the EEPROM
13 ***	Problem in Solar-thermal sensor	Solar-thermal sensor disconnection or short circuit
14 ****	Problem in Flow Switch	Folw switch is open while internal water pump is working
15 ****	Water pipe overheated	Leaving water temperature is above 57°C
16 ****	Problems in sensors	An error cord 17,18,19 error has occurred at the same time.
17 *	Problem in Water-inlet sensor	Water-Inlet sensor disconnection or short circuit
18 *	Problem in Water-outlet sensor	Water-outlet sensor disconnection or short circuit
19 *	Problem in Water-interlim sensor	Water-interlim sensor disconnection or short circuit
20 ****	Electric heater overheated	Leaving water temperature is above 80°C

• Notice of error code

- Slight / Heavy / Option Troubles : lowercases 'ch' + code no.
- Errors : capital letters 'CH' + code no.
- Slight Trouble: *
- Heavy Trouble: **
- Option Trouble: ***
- Error: ****



CAUTION

Precaution in service or check

Even after stopping the operation of product, it takes some time to discharge the remaining electricity of the electrolytic capacitor that was charged early. Before conducting a checking or repairing job, pull out the plug out of the outlet and make sure that the lamp on the control board outdoor unit is off.

Main PCB assembly(Inverter)

- Red LED means error no. 10's digit, and green LED means 1's digit, and when red and green simultaneously blink, it means 100's unit.

Ex) Inverter compressor IPM defect Error : error number 21

Error Code	Description	LED 1 (Red)	LED 2 (Green)
21	Inverter compressor IPM defect	2times ●	1time ●



AHBW056A0
AHBW076A0
AHBW096A0



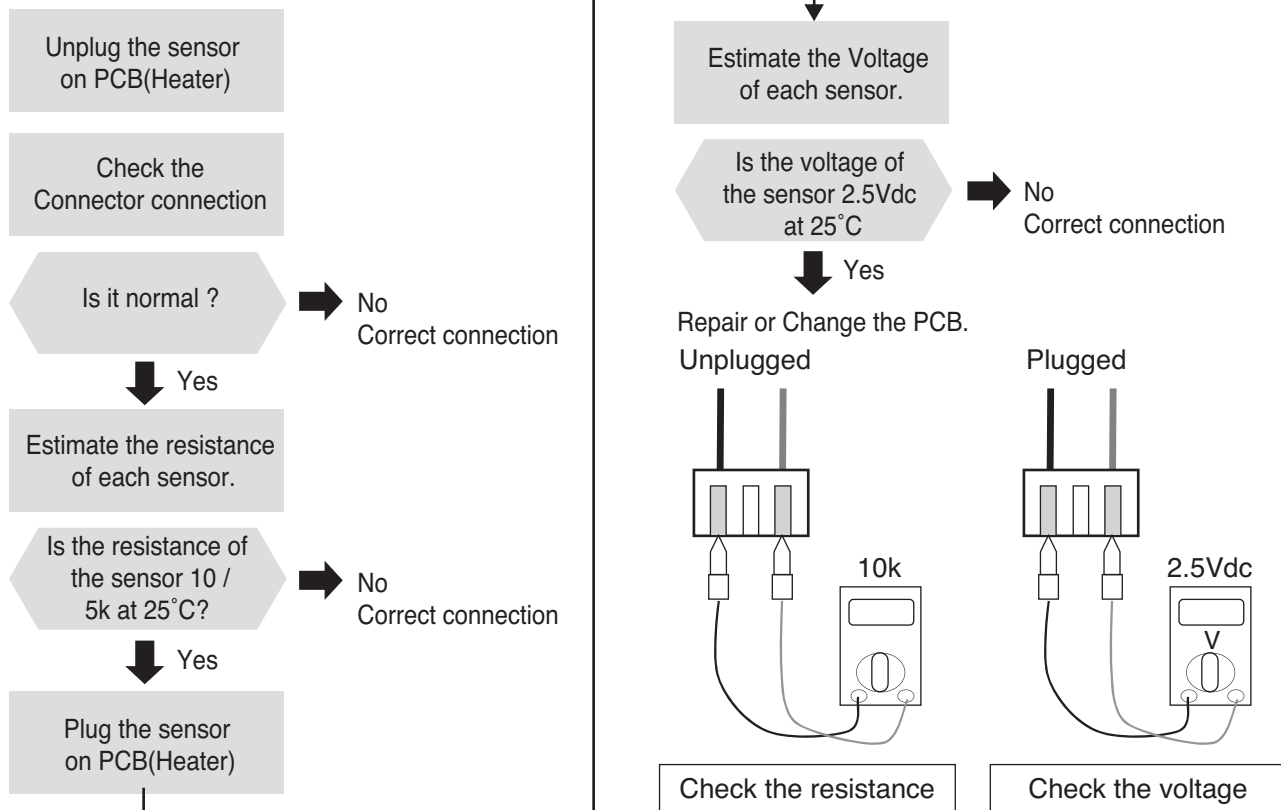
AHBW126A0
AHBW146A0
AHBW166A0

Error Code	Description	Main Reasons
21**	DC Peak(IPM Fault)	Inverter compressor drive IPM defect / inverter compressor defect
22**	Max. CT(CT2)	Increase of inverter compressor CT value
23**	DC Link Low Volt.	After inverter activation relay is ON, DC voltage recharge defect
26**	DC Comp Position Error	Inverter compressor error, causing initial activation failure
27**	PFC Fault Error	Error by overcurrent at inverter input
29**	Comp Over Current	Inverter compressor activation failure or increase of CT value
32**	D-Pipe High(Inv.)	Excessive rise of inverter compressor discharge temperature, causing compressor OFF
35**	Low Pressure Error	Excessive decrease of low pressure
41**	Inv. D-Pipe Th Error(Open/Short)	Inverter compressor discharge temperature sensor disconnection or short circuit
43**	High Pressure Sensor(Open/Short)	High pressure sensor disconnection or short circuit of inverter compressor
44**	Outdoor air Th Error(Open/Short)	Air temperature sensor disconnection or short circuit
45**	Cond. Middle Pipe Th Error(Open/Short)	Condenser Middle Pipe sensor disconnection or short circuit
46**	Suction Pipe Th Error(Open/Short)	Inverter compressor suction temperature sensor disconnection or short circuit
48**	Cond. Out-Pipe Th Error(Open/Short)	Condenser Out-Pipe sensor disconnection or short circuit
53**	Communication Error(PCB(Heater) ↔ PCB(Inverter))	PCB(Heater) unit does not receive signal from PCB(Inverter)
60**	EEPROM Error(Outdoor)	PCB(Inverter) EEPROM error
61**	Cond. Middle Pipe High	EEV connector displaced/poor EEV assembly
62**	Heatsink Error(High)	PCB(Inverter) heat generation, causing the rise of heatsink temperature
73**	Overcurrent (Peak) detected at inverter input	Error by overcurrent detection at inverter input

3. Trouble Shooting Guide

Display code	Title	Cause of error	Check point & Normal condition
01	Remote room air sensor	<ul style="list-style-type: none"> • Connector connection error • Faulty PCB(Heater) • Faulty sensor (Open / Short) 	Normal resistor : 10KΩ/ at 25°C (Unplugged) Normal voltage : 2.5Vdc / at 25°C(Plugged) Refer to sensor resistance table.
02	Refrigerant inlet pipe sensor	<ul style="list-style-type: none"> • Connector connection error • Faulty PCB(Heater) • Faulty sensor (Open / Short) 	Normal resistor : 5KΩ/ at 25°C(Unplugged) Normal voltage : 2.5Vdc / at 25°C(Plugged) Refer to sensor resistance table.
06	Refrigerant outlet pipe sensor	<ul style="list-style-type: none"> • Connector connection error • Faulty PCB(Heater) • Faulty sensor (Open / Short) 	Normal resistor : 5KΩ/ at 25°C(Unplugged) Normal voltage : 2.5Vdc / at 25°C(Plugged) Refer to sensor resistance table.

Check Flow Chart

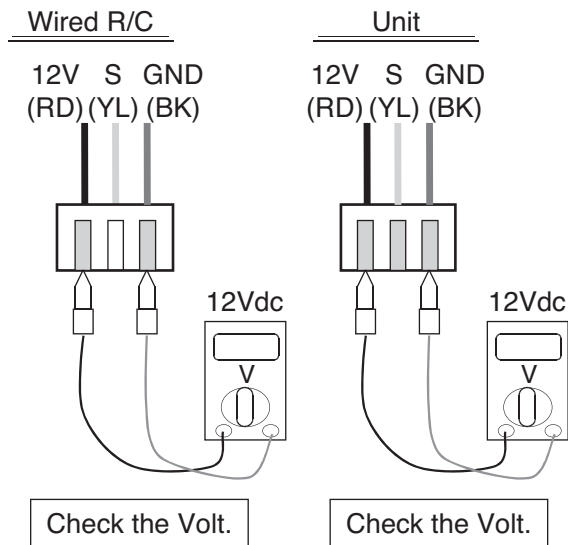
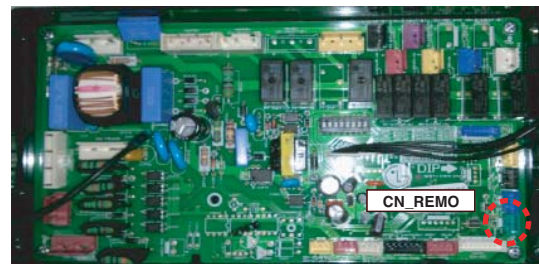
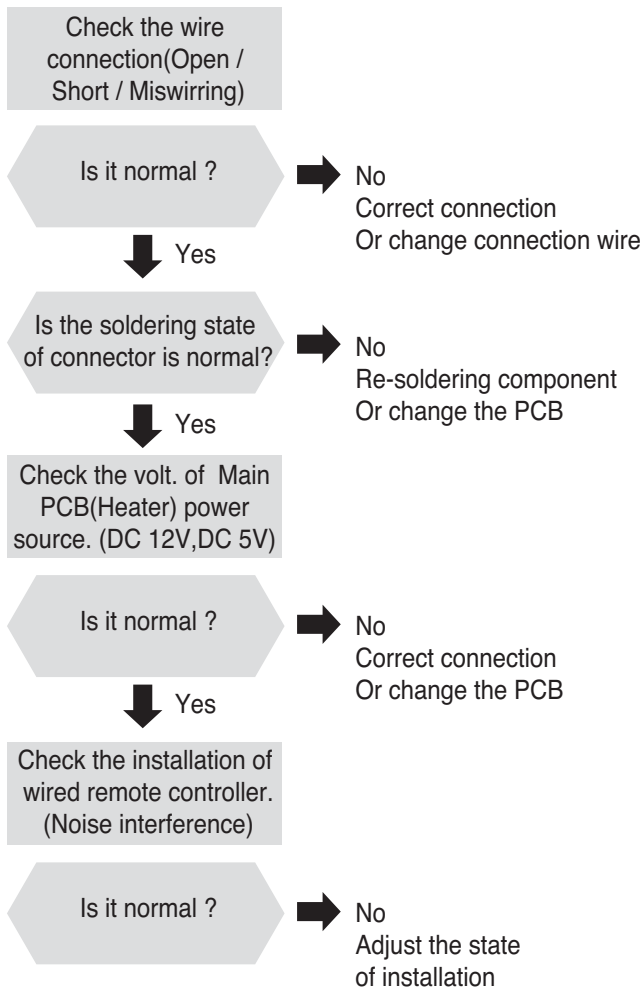


Check Point

1. Unplug the sensor on PCB(Heater).
2. Estimate the resistance of each sensor.
3. If the resistance of the sensor is 10 KΩ / 5 KΩ at 25°C, then sensor is normal.
4. If the resistance of the sensor is 0 KΩ or ∞, then sensor is abnormal. → Change the sensor.
5. Plug the sensor on PCB(Heater) and Power ON.
6. Estimate the voltage of each sensor.
7. If the voltage of the sensor is 2.5Vdc at 25°C, then sensor is normal.
8. If the resistance of the sensor is 0 or 5Vdc, then sensor is abnormal. → Repair or Change the PCB(Heater).

Display code	Title	Cause of error	Check point & Normal condition
03	Communication Error (Wired remote controller)	<ul style="list-style-type: none"> • Connector connection error • Faulty PCB(Heater) / Remote controller • Connection wire break 	<ul style="list-style-type: none"> • Connection of wire • Main PCB(Heater) Volt. DC12V • Noise interference

Check Flow Chart

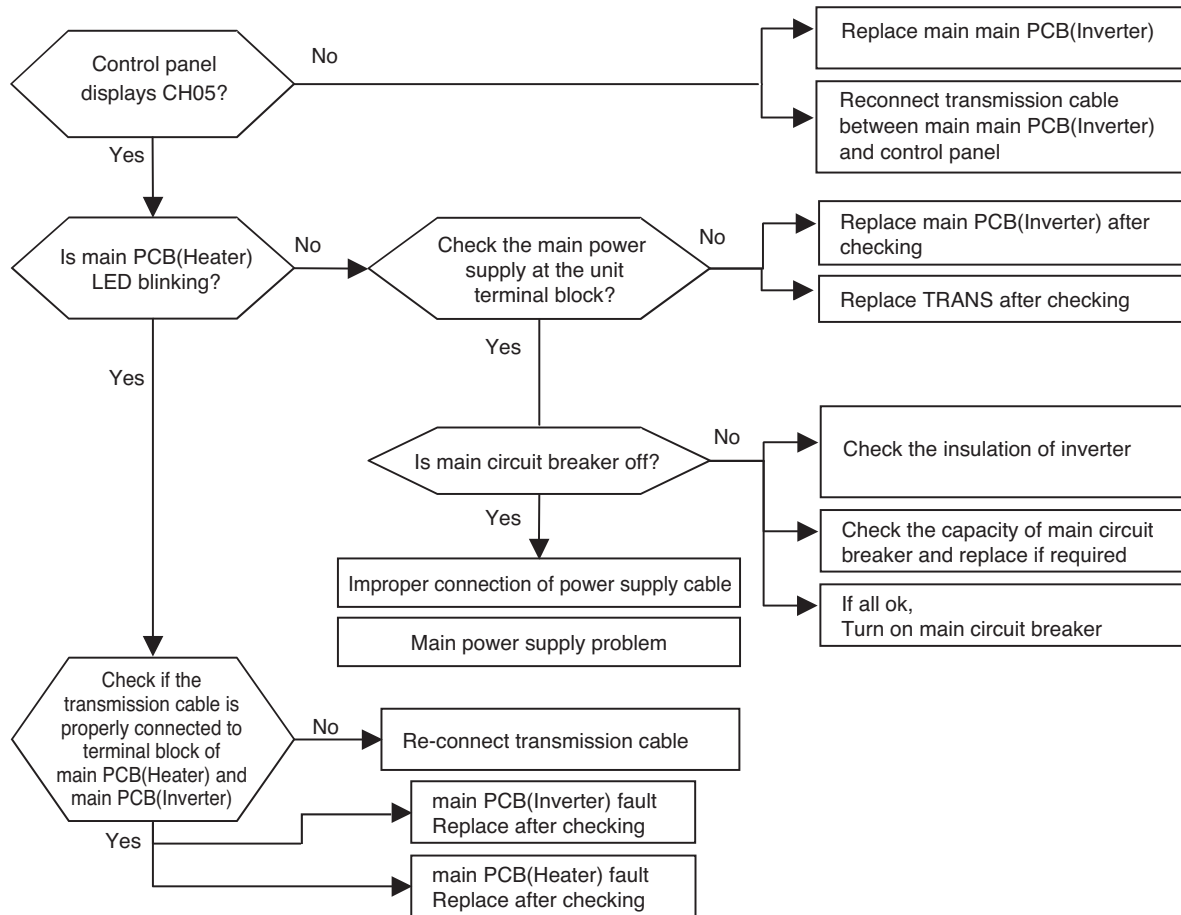


Check Point

1. Check the wire connection. (Open / Short) → Repair the connection
2. Check the soldering state of connector. (Soldered poorly) → Repair or Change the PCB(Heater).
3. Check the volt. Of Main PCB(Heater) power source. (DC 12V) → Repair or Change the Main PCB(Heater).
4. Check the installation of wired remote controller. (Noise interference) → Adjust the state of installation

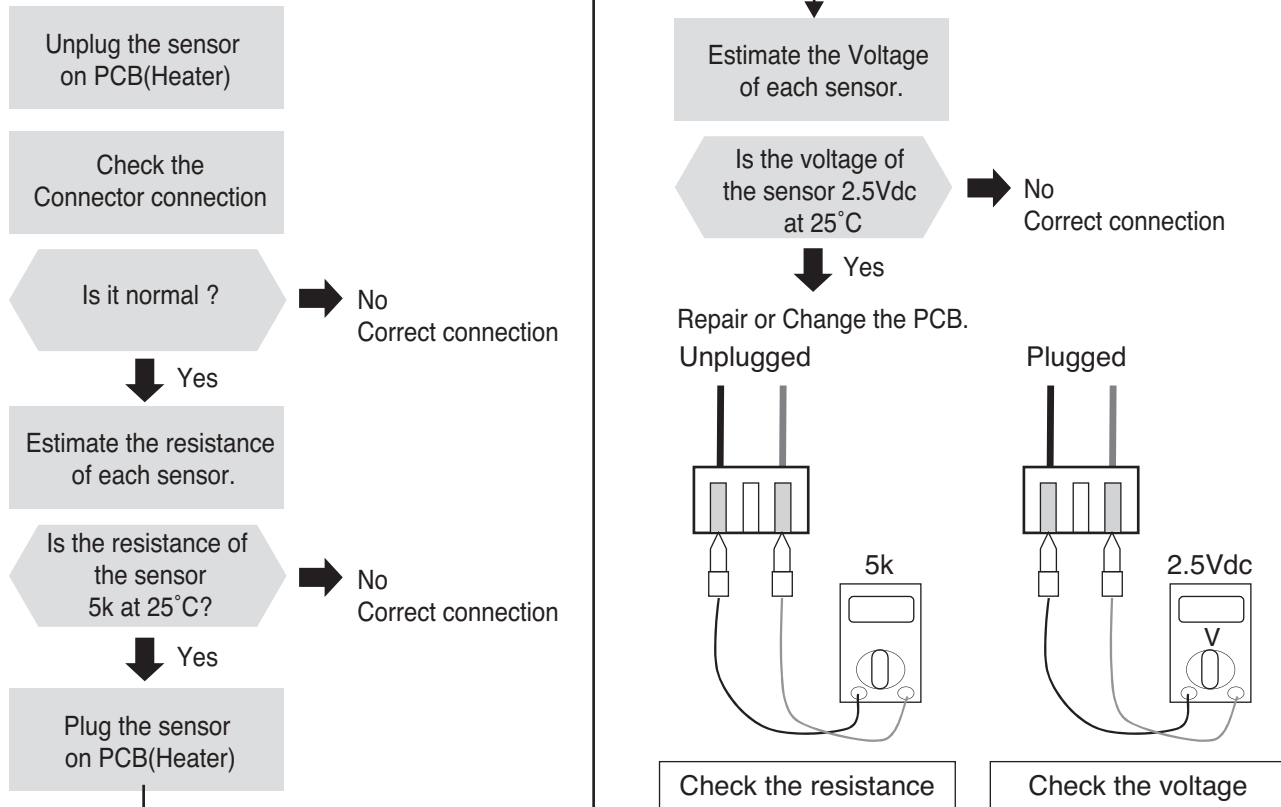
Code No.	Description	Cause	Normal Condition
05	Bad communication between main PCB assembly(Inverter) and main PCB assembly(Heater)	<ul style="list-style-type: none"> The connector for transmission is disconnected The connecting wires are misconnected The communication line is broken main PCB(Heater) is abnormal main PCB(Inverter) is abnormal 	<ul style="list-style-type: none"> Wire connection between control panel and main PCB 2 should be tight
53			

■ Error diagnosis and countermeasure flow chart



Display code	Title	Cause of error	Check point & Normal condition
08	Problem in Water Tank sensor	<ul style="list-style-type: none"> • Connector connection error • Faulty PCB(Heater) • Faulty sensor (Open / Short) 	Normal resistor : 5KΩ/ at 25°C(Unplugged) Normal voltage : 2.5Vdc / at 25°C(Plugged) Refer to sensor resistance table.
13	Problem in Solar-thermal sensor	<ul style="list-style-type: none"> • Connector connection error • Faulty PCB(Heater) • Faulty sensor (Open / Short) 	Normal resistor : 5KΩ/ at 25°C(Unplugged) Normal voltage : 2.5Vdc / at 25°C(Plugged) Refer to sensor resistance table.

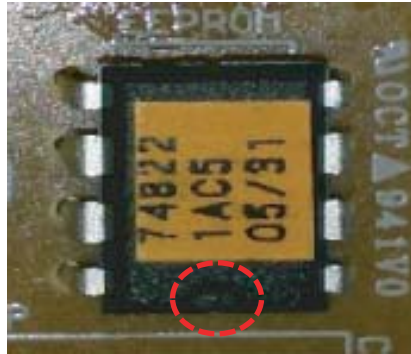
Check Flow Chart



Check Point

1. Unplug the sensor on PCB(Heater).
2. Estimate the resistance of each sensor.
3. If the resistance of the sensor is 5 KΩ at 25°C, then sensor is normal.
4. If the resistance of the sensor is 0 KΩ or ∞, then sensor is abnormal. → Change the sensor.
5. Plug the sensor on PCB(Heater) and Power ON.
6. Estimate the voltage of each sensor.
7. If the voltage of the sensor is 2.5Vdc at 25°C, then sensor is normal.
8. If the resistance of the sensor is 0 or 5Vdc, then sensor is abnormal. → Repair or Change the PCB.

Code No.	Description	Cause	Normal Condition
09	PCB(Heater) EEPROM Check Sum Error	• Check sum error	1. Check the poor soldering 2. Check the insertion condition of the EEPROM 3. Check the PCB Connection



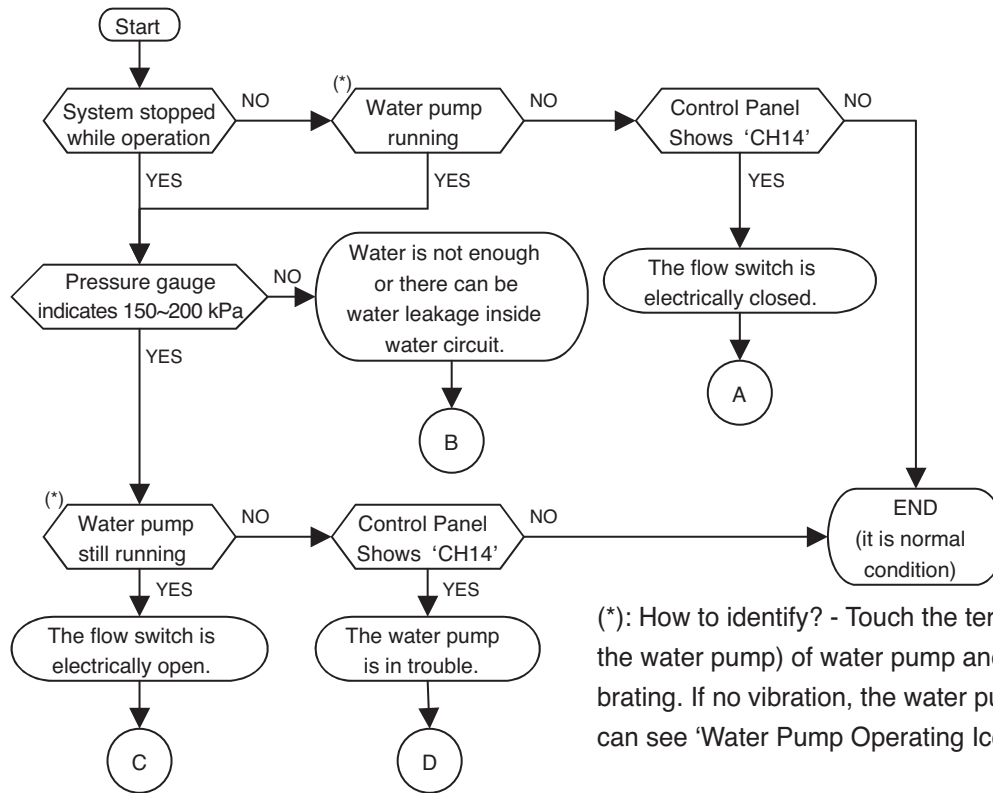
<EEPROM Direction Check Point>

Check Point

1. Check the EEPROM Direction
2. If the EEPROM value & the Program value are not matched, the Code is Displayed
3. After Checking the connection and Insertion, replace the PCB or Option PCB

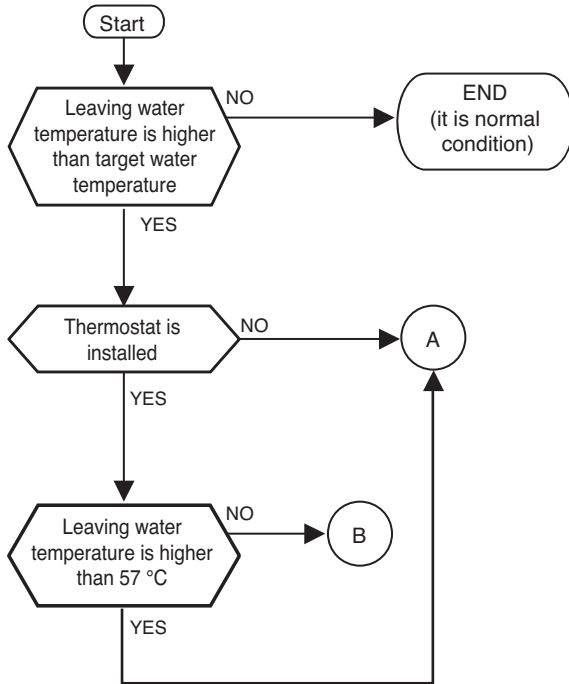
Code No.	Description	Cause	Normal Condition
14	Problem in Flow Switch	<ul style="list-style-type: none"> Flow switch is open while internal water pump is working Flow switch is closed while internal water pump is not working Flow switch is open while DIP switch No. 5 of main PCB(Heater) is set as ON 	<ul style="list-style-type: none"> Flow switch should be closed while internal water pump is working or DIP switch No. 5 of main PCB(Heater) is set as ON Flow switch should be open while internal water pump is not working

■ Error diagnosis and countermeasure flow chart



- (A)
 - Although there is not water flow inside water circuit, the flow switch detects as if water is flowing. It is due to electrically closed (or short) of flow switch or the contact of flow switch is mechanically stuck.
 - Contact official After Service Center and replace the flow switch.
 - Check the air vent. If there is air in the unit, it can display "CH14". Please remove the air by using the air vent.
- (B)
 - Check if water inside water circuit is fully charged. Pressure gauge at the unit should indicate 150~200 kPa.
 - Also, as the hand of the pressure gauge is not react so fast according to water charging, check the pressure gauge again.
 - Otherwise, there can be water leakage inside water circuit. Examine if water circuit is completely sealed.
- (C)
 - Although water is well flowing, the flow switch can not detect water flow. It is due to electrically open of flow switch or the contact of flow switch is mechanically broken.
 - Contact official After Service Center and replace the flow switch.
- (D)
 - Read 'Checking Key Components of unit – Water Pump' carefully to get more detail information.
 - Contact official After Service Center and replace the water pump.
 - Also, check the water quality if there are particles that can yield locking at the shaft of the water pump.
 - Check the air vent. If there is air in the unit, it can display "CH14". Please remove the air by using the air vent.

Code No.	Description	Cause	Normal Condition
15	Water pipe overheated	<ul style="list-style-type: none"> Abnormal operation of electric heater Leaving water temperature is above 57 °C 	<ul style="list-style-type: none"> Possible maximum leaving water temperature is 57 °C.



- A**
- This is unexpected case.
 - Turn off the system and call service center.
 - If the system is not turned off before it yields error code (CH15), very hot leaving water will be generated and it is harmful to human.
- B**
- Room air is not fully heated by under floor heating.
 - Wait while room air is heated by target temperature of thermostat.

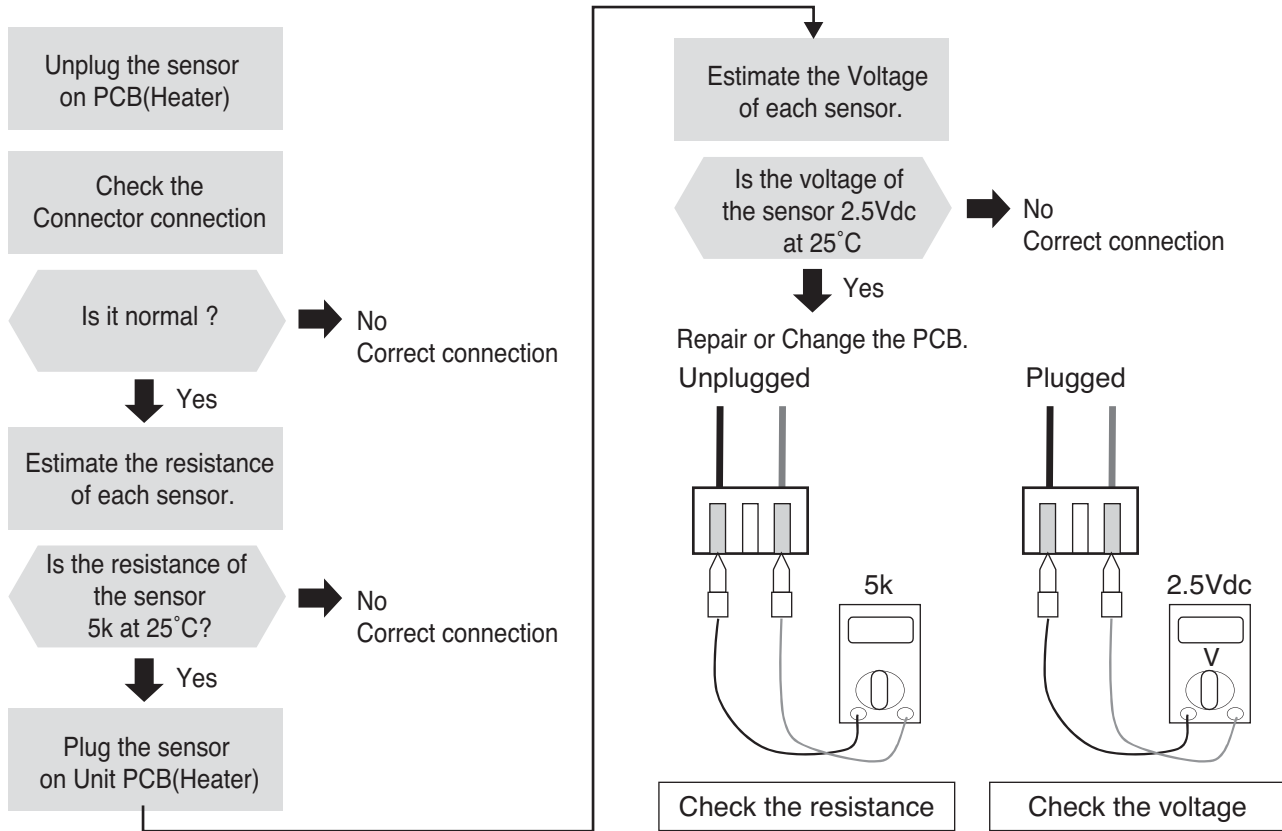
Code No.	Description	Cause	Normal Condition
16	Problem in Sensors	• It is occur when error 17,18,19 is happend at the same time.	• It is't occur when error 17,18,19 is happend at the same time.

■ **Error diagnosis and countermeasure flow chart**

- Refer to error code 17/18/19 Trouble shooting Guide.

Display code	Title	Cause of error	Check point & Normal condition
17	Problem in Water-inlet sensor	<ul style="list-style-type: none"> • Connector connection error • Faulty PCB(Heater) • Faulty sensor (Open / Short) 	Normal resistor : 5KΩ/ at 25°C (Unplugged) Normal voltage : 2.5Vdc / at 25°C (Plugged) Refer to sensor resistance table.
18	Problem in Water-outlet sensor	<ul style="list-style-type: none"> • Connector connection error • Faulty PCB(Heater) • Faulty sensor (Open / Short) 	Normal resistor : 5KΩ/ at 25°C (Unplugged) Normal voltage : 2.5Vdc / at 25°C (Plugged) Refer to sensor resistance table.
19	Problem in Water-interlim sensor	<ul style="list-style-type: none"> • Connector connection error • Faulty PCB(Heater) • Faulty sensor (Open / Short) 	Normal resistor : 5KΩ/ at 25°C (Unplugged) Normal voltage : 2.5Vdc / at 25°C (Plugged) Refer to sensor resistance table.

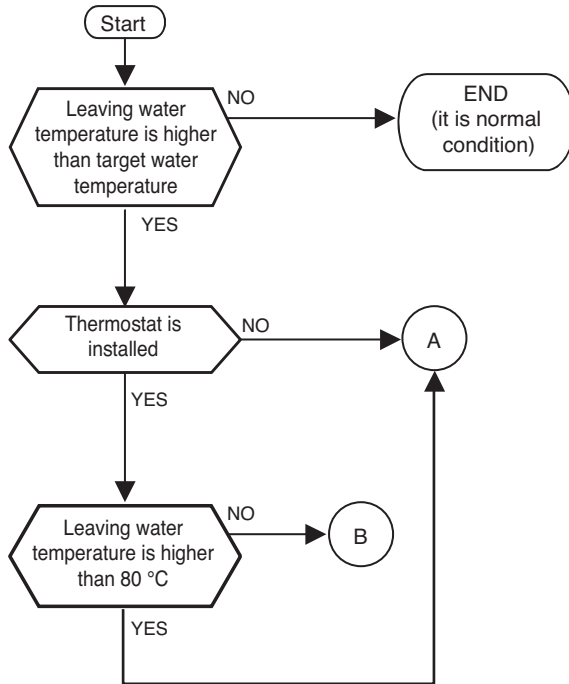
Check Flow Chart



Check Point

1. Unplug the sensor on PCB(Heater).
2. Estimate the resistance of each sensor.
3. If the resistance of the sensor is 5KΩ at 25°C, then sensor is normal.
4. If the resistance of the sensor is 0 KΩ or ∞, then sensor is abnormal. → Change the sensor.
5. Plug the sensor on PCB(Heater) and Power ON.
6. Estimate the voltage of each sensor.
7. If the voltage of the sensor is 2.5Vdc at 25°C, then sensor is normal.
8. If the resistance of the sensor is 0 or 5Vdc, then sensor is abnormal. → Repair or Change the PCB.

Code No.	Description	Cause	Normal Condition
20	Electric Heater Overheated	<ul style="list-style-type: none"> Abnormal operation of electric heater Leaving water temperature is above 80 °C 	<ul style="list-style-type: none"> If there is no problem in electric heater control, possible maximum leaving water temperature is 80 °C.



A

- This is unexpected case.
- Turn off the system and call service center.
- If the system is not turned off before it yields error code (CH20), very hot leaving water will be generated and it is harmful to human.
- If Error Code (CH20) is occurred, please check thermostat, electric heater, power supply and others. Also, it is recommended to check air vent which is located on the top of the electric heater tank.

B

- Room air is not fully heated by under floor heating.
- Wait while room air is heated by target temperature of thermostat.

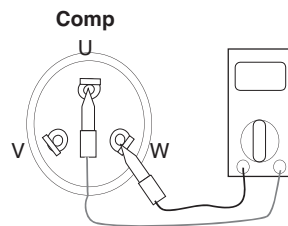
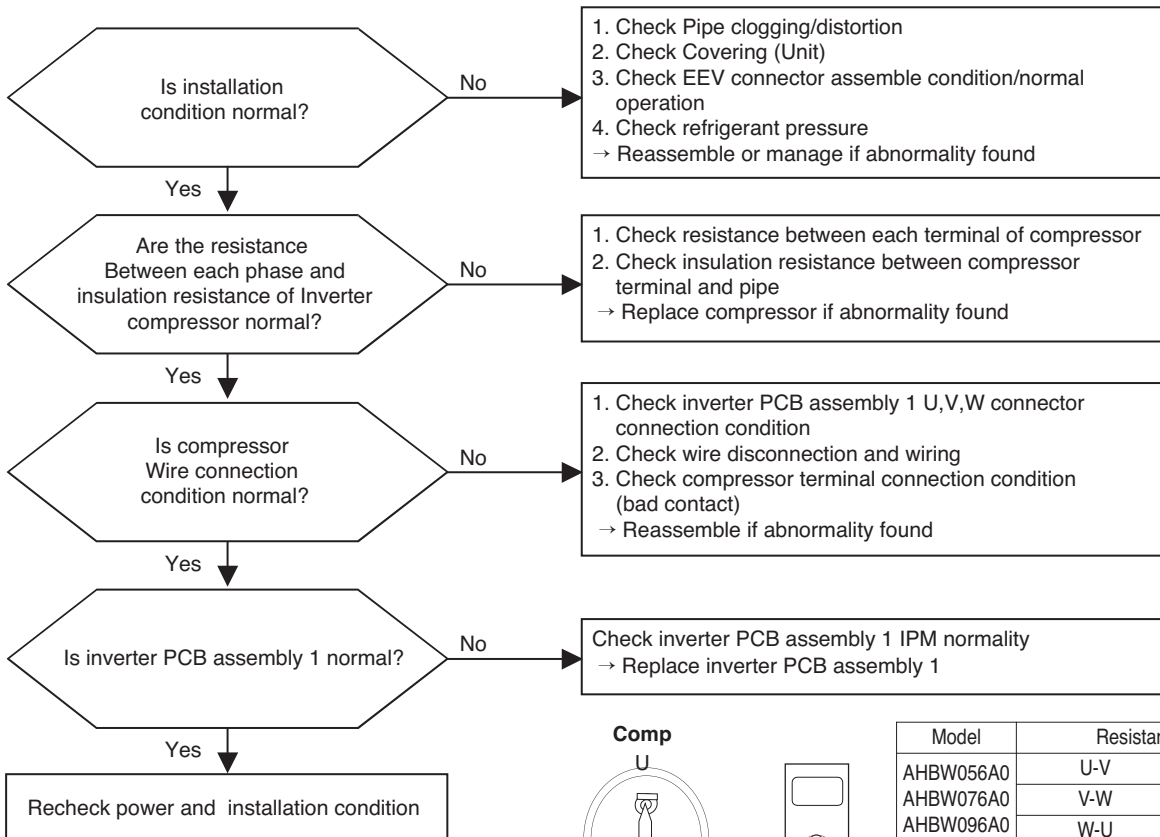
Display code	Title	Cause of error	Check point & Normal condition
21	DC PEAK (IPM Fault)	<ul style="list-style-type: none"> Instant over current Over Rated current Poor insulation of IPM 	<ul style="list-style-type: none"> An instant over current in the U,V,W phase <ul style="list-style-type: none"> Comp lock The abnormal connection of U,V,W Over load condition <ul style="list-style-type: none"> Overcharging of refrigerant Pipe length. Outdoor Fan is stop Poor insulation of compressor



WARNING

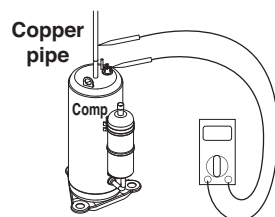
Before checking PCB(Inverter) or each outdoor electric parts, wait for 3 minutes after the power is off. When measuring at standby state of power supply, after checking the measurement mode of the meter, be careful of the short-circuits with other parts.

■ Error Diagnosis and Countermeasure Flow Chart



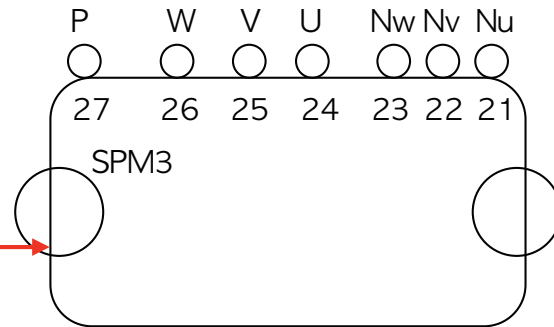
Model	Resistance(Ω) at 20°C	
	Terminal	Inverter comp.
AHBW056A0	U-V	0.628(at 25°C)
AHBW076A0	V-W	0.628(at 25°C)
AHBW096A0	W-U	0.628(at 25°C)
AHBW126A0	U-V	0.438(at 25°C)
AHBW146A0	V-W	0.438(at 25°C)
AHBW166A0	W-U	0.438(at 25°C)

■ Comp checking method

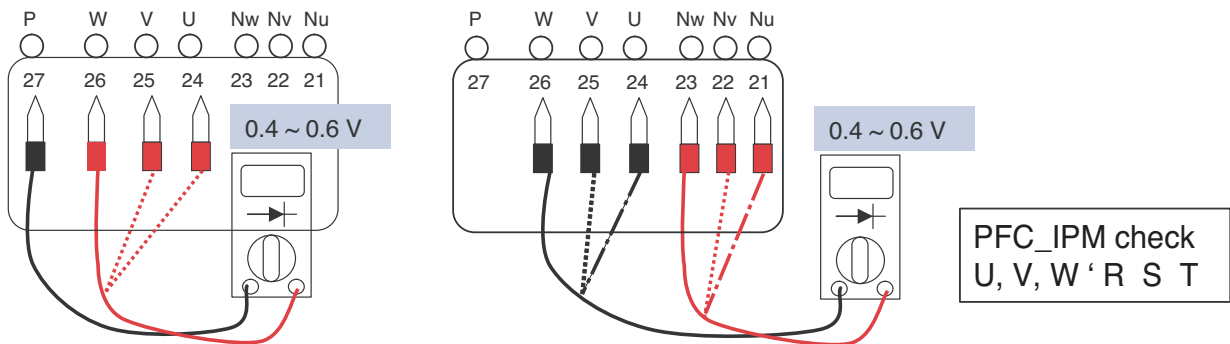


Model	Resistance(Ω) at 20°C	
	Terminal	Inverter comp.
AHBW056A0	U-GND	2M Ω
AHBW076A0	V-GND	2M Ω
AHBW096A0	W-GND	2M Ω
AHBW126A0	U-GND	2M Ω
AHBW146A0	V-GND	2M Ω
AHBW166A0	W-GND	2M Ω

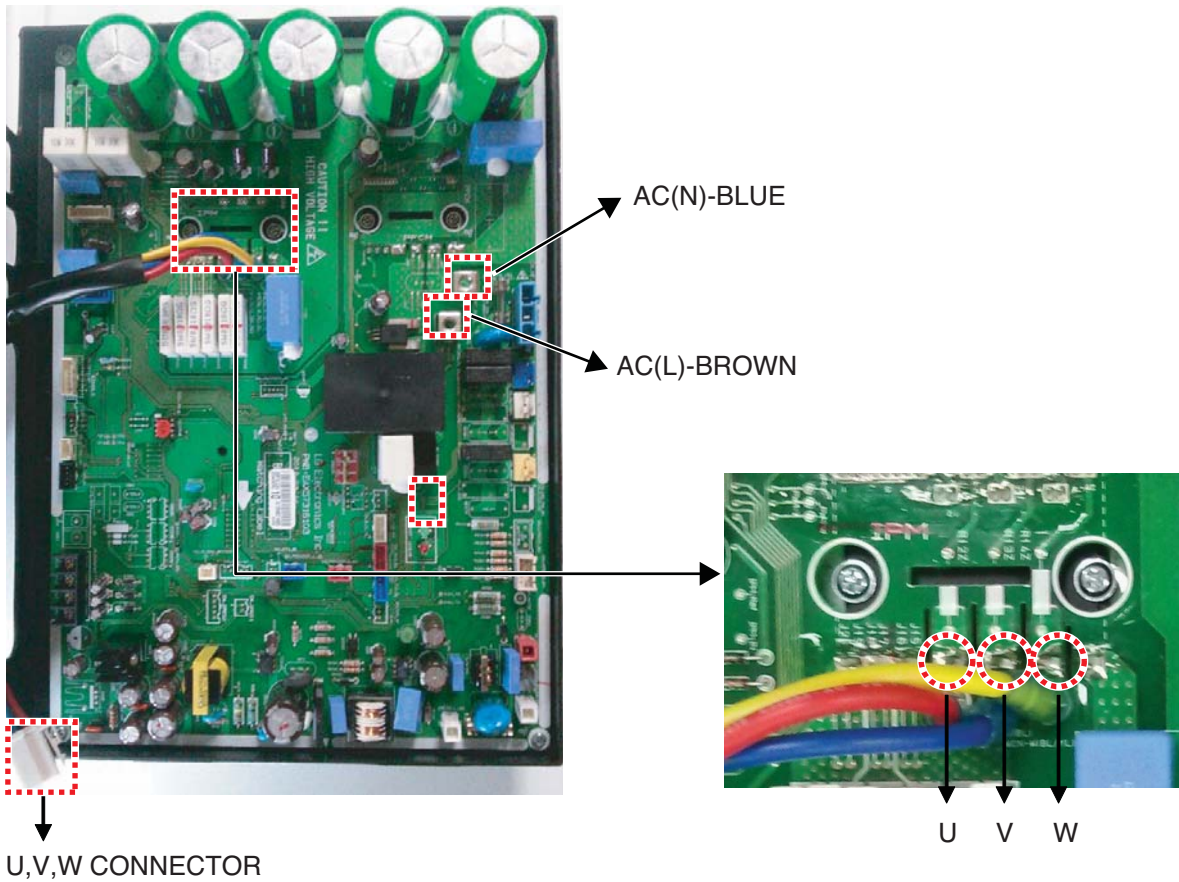
■ AHBW056A0/AHBW076A0/AHBW096A0



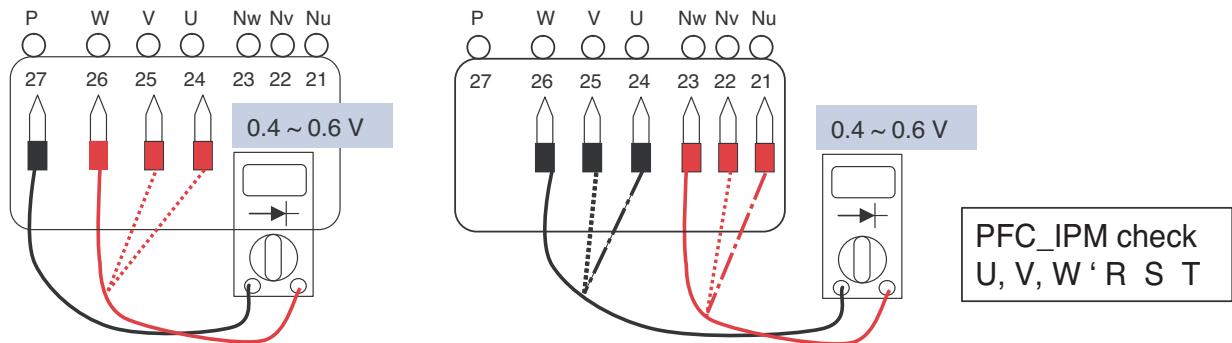
1. Wait PCB(Inverter) DC voltage is discharged after main power off.
2. Pull out V, V, W COMP connector.
3. Set multi tester to resistance mode.
4. If the value between P and N terminal of IPM is short(0Ω) or open(hundreds $M\Omega$), PCB(Inverter) needs to be replaced.(IPM damaged)
5. Set the multi tester to diode mode.
6. In case measured value is different from the table, PCB(Inverter) needs to be replaced. (PCB(Inverter) damaged).



* AHBW126A0/AHBW146A0/AHBW166A0



1. Wait PCB(Inverter) DC voltage is discharged after main power off.
2. Pull out AC(L), AC(N) connectors and U,V,W COMP Connector.
3. Set multi tester to resistance mode.
4. If the value between P and N terminal of IPM is short(0Ω) or open(hundreds $M\Omega$), PCB needs to be replaced.(IPM damaged)
5. Set the multi tester to diode mode.
6. In case measured value is different from the table, PCB(Inverter) needs to be replaced.(PCB damaged).



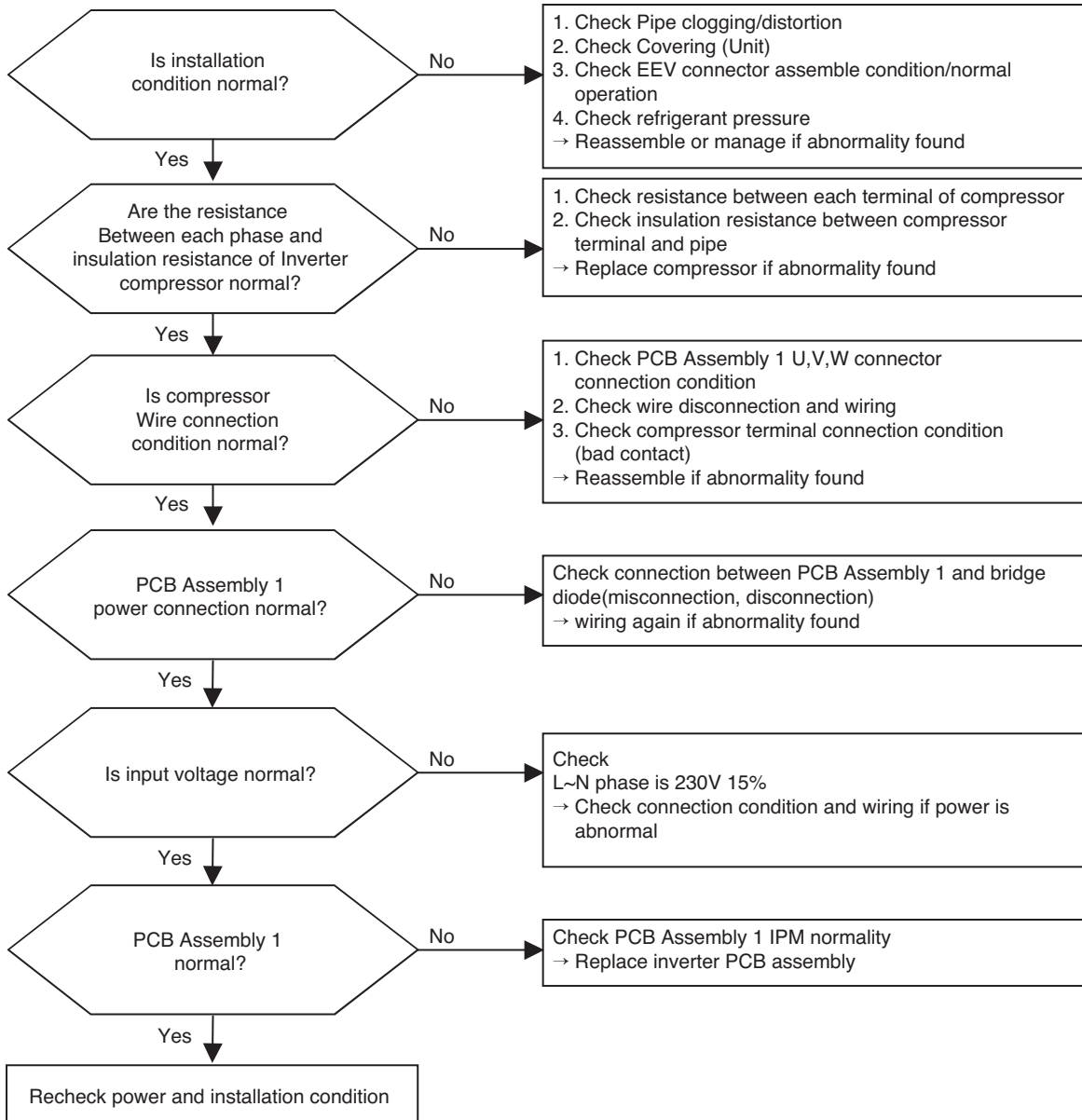
Display code	Title	Cause of error	Check point & Normal condition
22	Max. C/T	Input Over Current	1. Malfunction of Compressor 2. Blocking of Pipe 3. Low Voltage Input 4. Refrigerant, Pipe length, Blocked...



WARNING

Before checking PCB(Inverter) or each outdoor electric parts, wait for 3 minutes after the power is off. When measuring at standby state of power supply, after checking the measurement mode of the meter, be careful of the short-circuits with other parts.

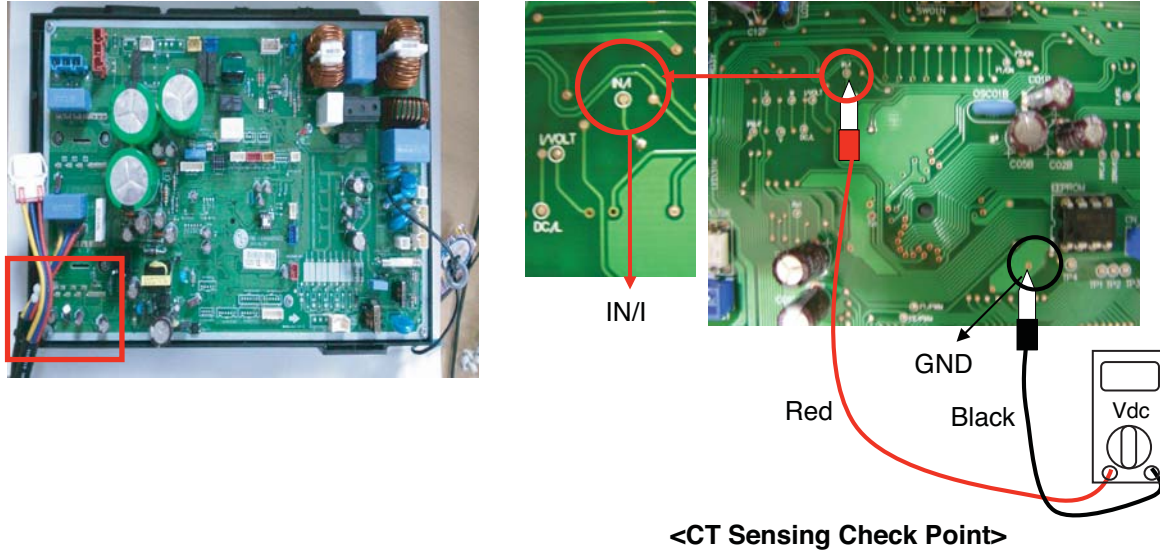
■ Error Diagnosis and Countermeasure Flow Chart



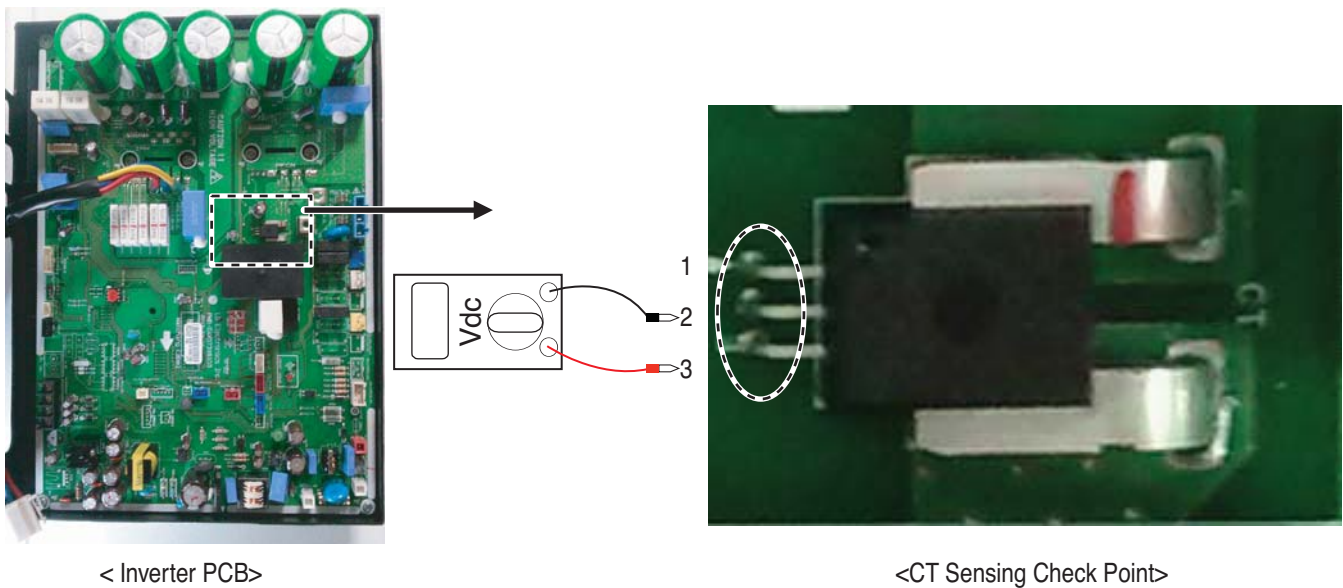
Check Point

1. Check the power source.(230V \pm 15%)
2. Check the fan operation is right.
3. Check the current.
4. Check the install condition.
5. Check the CT Sensor Output signal
(AHBW056A0/AHBW076A0/AHBW096A0 Check output the CT Sensor : DC 2.5 \pm 0.2V
AHBW126A0/AHBW146A0/AHBW166A0 - Check output pin 2.3 of the CT Sensor : DC 2.5 \pm 0.2V)

* AHBW056A0/AHBW076A0/AHBW096A0



* AHBW126A0/AHBW146A0/AHBW166A0



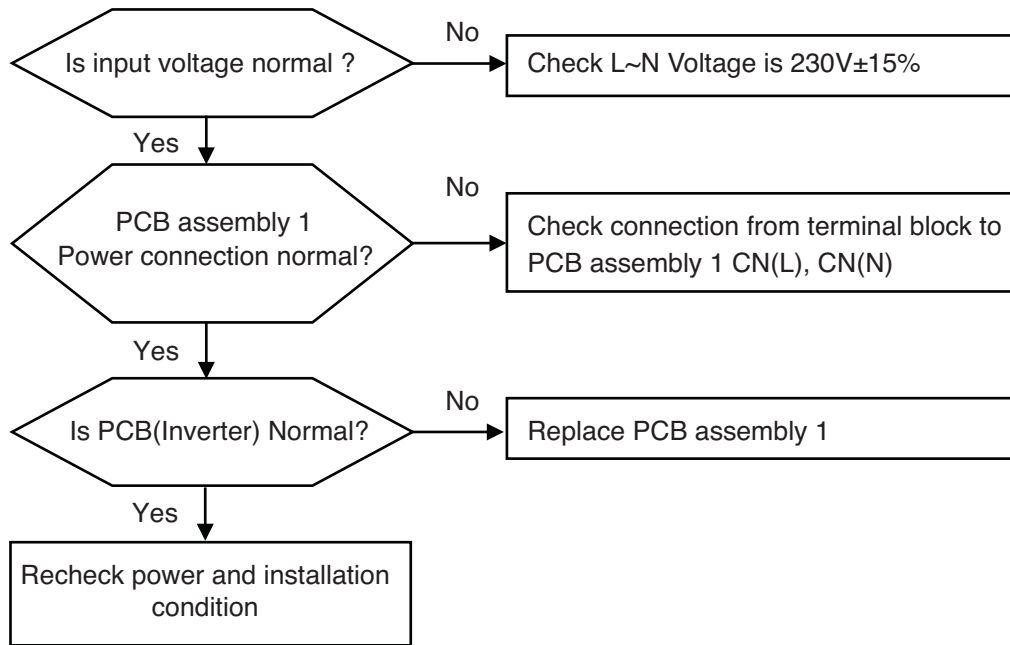
Display code	Title	Cause of error	Check point & Normal condition
23	DC Link High / Low Volt	<ul style="list-style-type: none"> • DC Link Voltage is above 420Vdc • DC Link Voltage is below 140Vdc 	<ul style="list-style-type: none"> • Check CN_(L), CN_(N) Connection • Check Input Voltage • Check PCB DC Link voltage sensor parts



WARNING

Before checking PCB(Inverter) or each outdoor electric parts, wait for 3 minutes after the power is off. When measuring at standby state of power supply, after checking the measurement mode of the meter, be careful of the short-circuits with other parts.

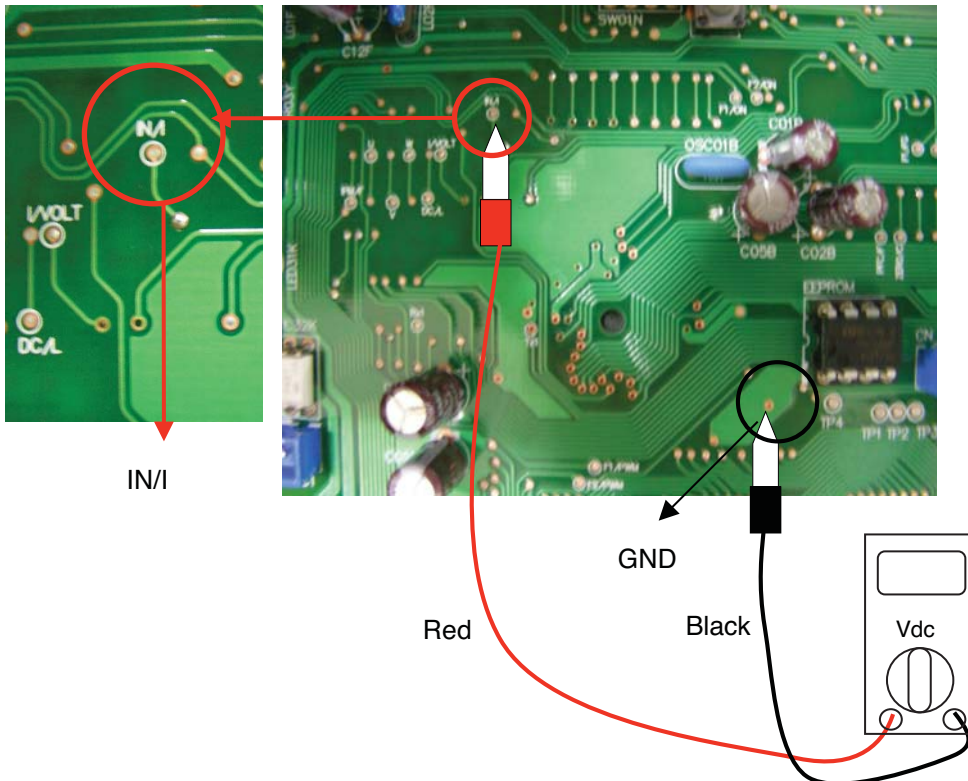
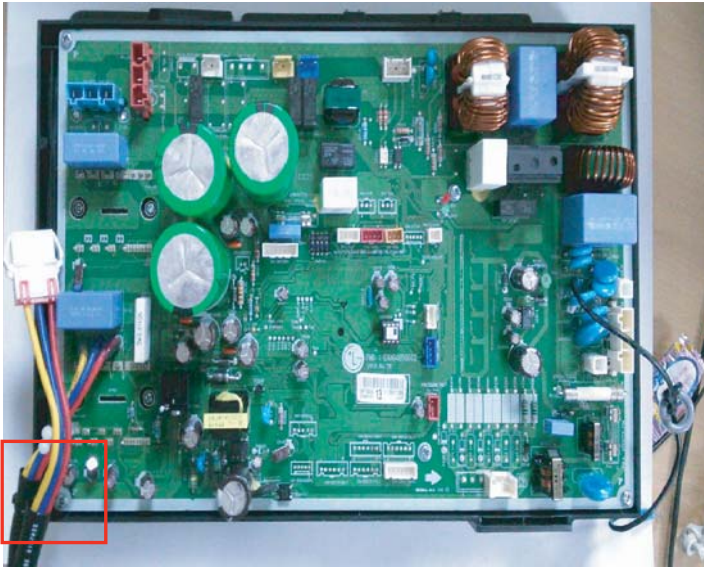
■ Error Diagnosis and Countermeasure Flow Chart



Check Point

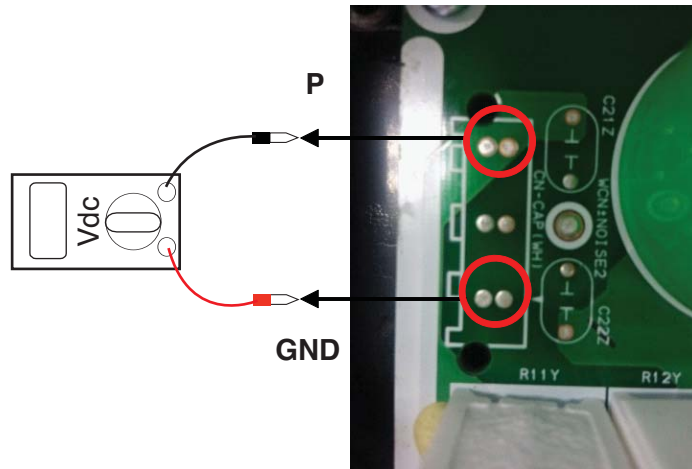
1. Check the WCN_P(L),P(N) Connection condition at the main PCB(Heater). (Refer to wiring diagram)
2. Check the DC Link voltage at not operating(280V ↑)
3. Check the DC Link voltage at Comp operating(340V ↑)
4. Check DC Link Sensing Signal :2.4~2.8V (Refer the Picture)

* AHBW056A0/AHBW076A0/AHBW096A0



<CT Sensing Check Point>

► AHBW126A0/AHBW146A0/AHBW166A0



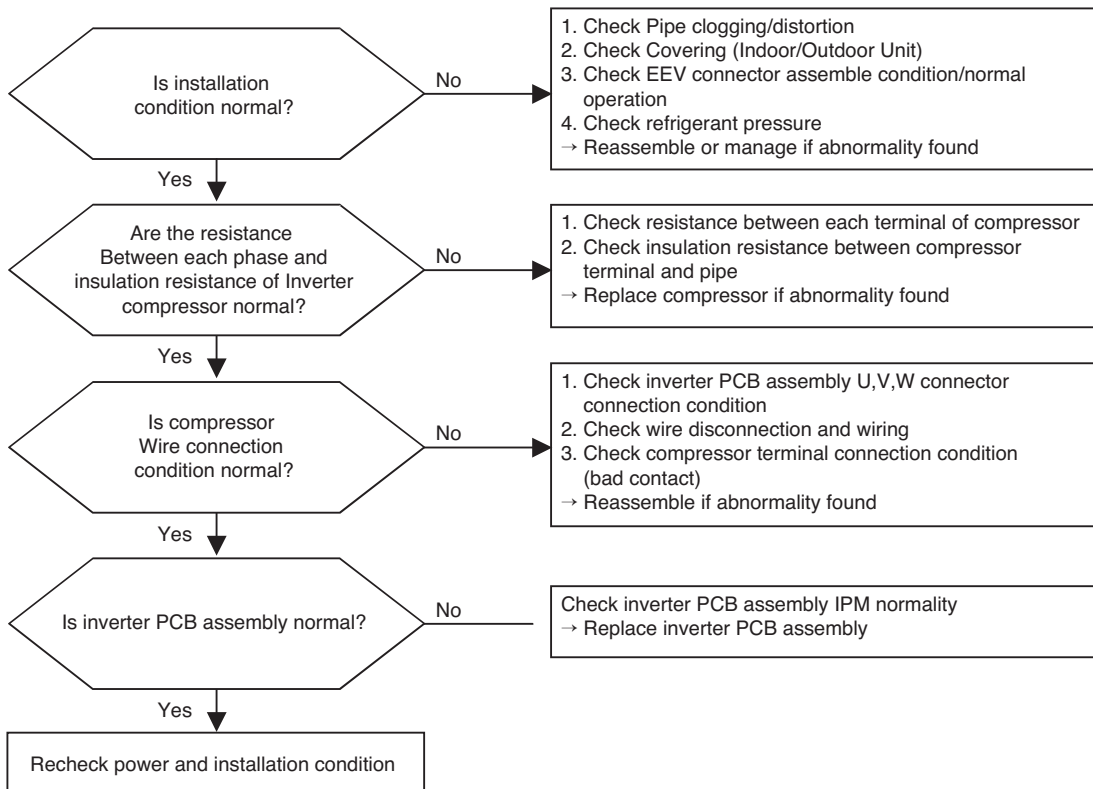
Display code	Title	Cause of error	Check point & Normal condition
26	DC Compressor Position	<ul style="list-style-type: none"> Compressor Starting fail error 	<ul style="list-style-type: none"> Check the connection of comp wire "U,V,W" Malfunction of compressor Check the component of "IPM", detection parts.



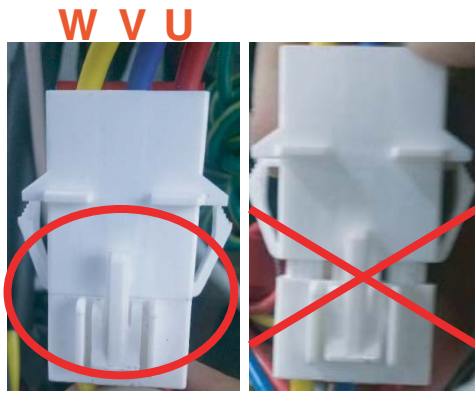
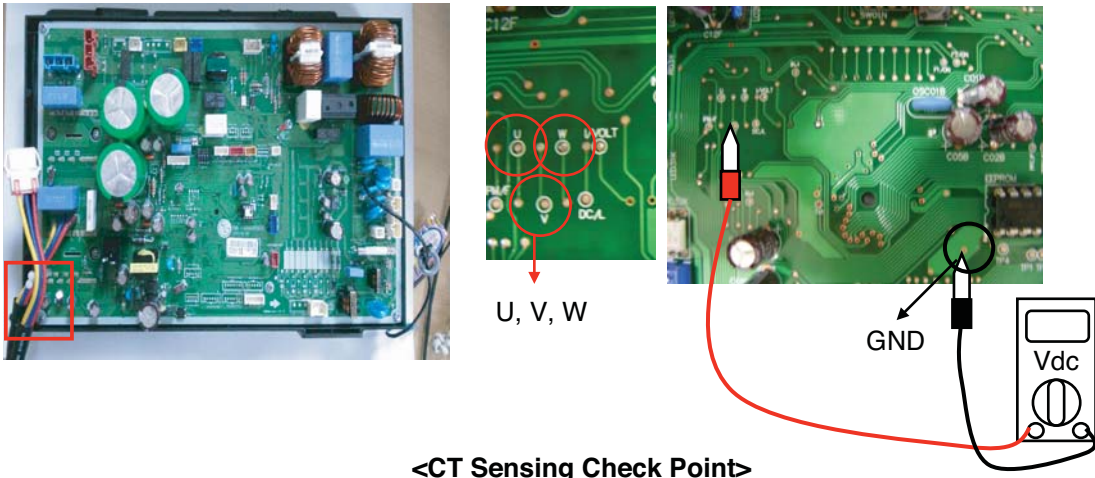
WARNING

Before checking PCB(Inverter) or each outdoor electric parts, wait for 3 minutes after the power is off. When measuring at standby state of power supply, after checking the measurement mode of the meter, be careful of the short-circuits with other parts.

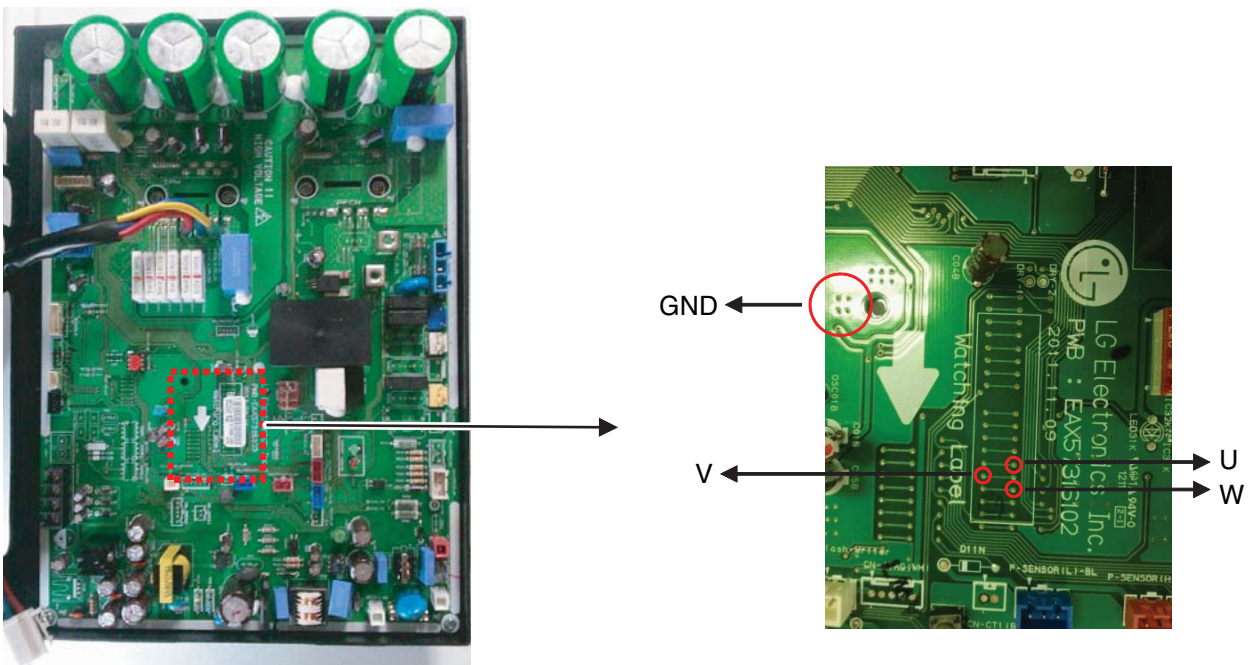
■ Error Diagnosis and Countermeasure Flow Chart



▶ AHBW056A0/AHBW076A0/AHBW096A0



▶ AHBW126A0/AHBW146A0/AHBW166A0



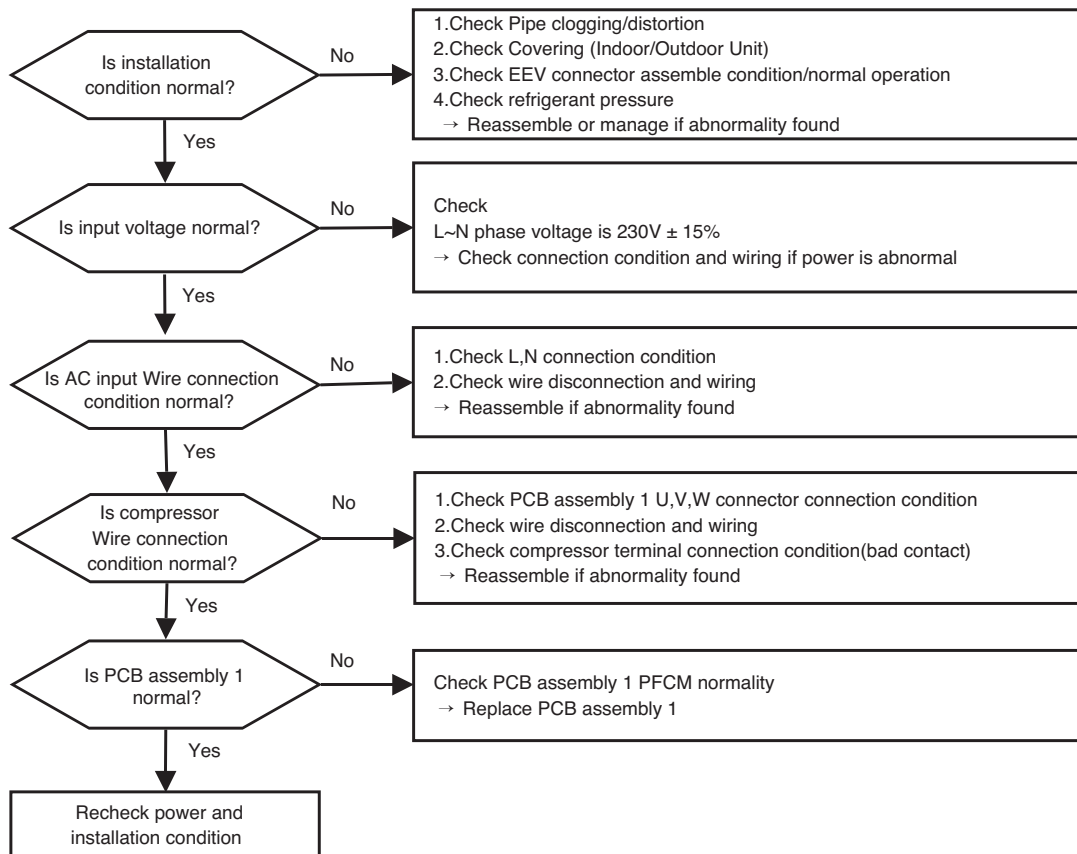
Display code	Title	Cause of error	Check point & Normal condition
27	AC Input Instant over Current Error	PCB(Inverter) input current is over 100A(peak) for 2us	1. Overload operation (Pipe clogging/Covering/EEV defect/Ref. overcharge) 2. Compressor damage (Insulation damage/Motor damage) 3. Input voltage abnormal (L,N) 4. Power line assemble condition abnormal 5. PCB assembly 1 Damage (input current sensing part)



WARNING

Before checking PCB(Inverter) or each outdoor electric parts, wait for 3 minutes after the power is off. When measuring at standby state of power supply, after checking the measurement mode of the meter, be careful of the short-circuits with other parts.

■ Error Diagnosis and Countermeasure Flow Chart



* PFCM Module checking method

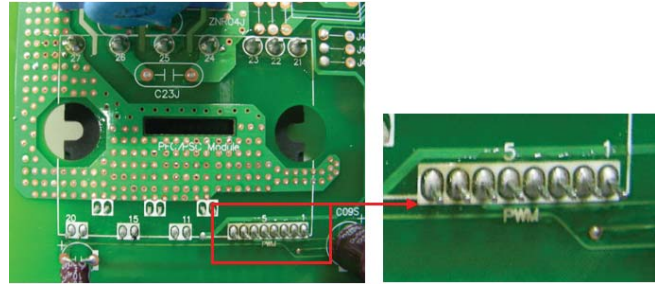
- ① Set the multi tester to diode mode.
- ② Check short between input signal pin which are placed below PFC Module
- ③ Replace PCB assembly 1 if it is short between pins except No.4,5 pins.



CAUTION

PFCM module No.4,5 pins are internal short state.

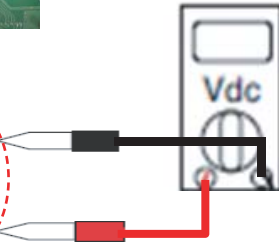
* AHBW056A0/AHBW076A0/AHBW096A0



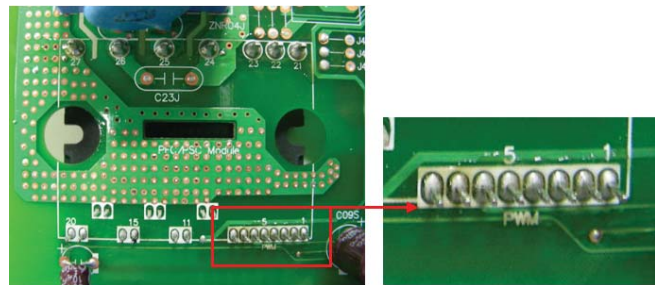
<Short Check Point>



After turning off the main power R24N between the ends of the resistance will be measured 620~670Ω.



* AHBW126A0/AHBW146A0/AHBW166A0



<Short Check Point>

Display code	Title	Cause of error	Check point & Normal condition
29	Inverter compressor over current	Inverter compressor input current is over 30A	1. Overload operation (Pipe clogging/Covering/EEV defect/Ref. overcharge) 2. Compressor damage(Insulation damage/Motor damage) 3. Input voltage low 4. ODU PCB assembly 1 damage

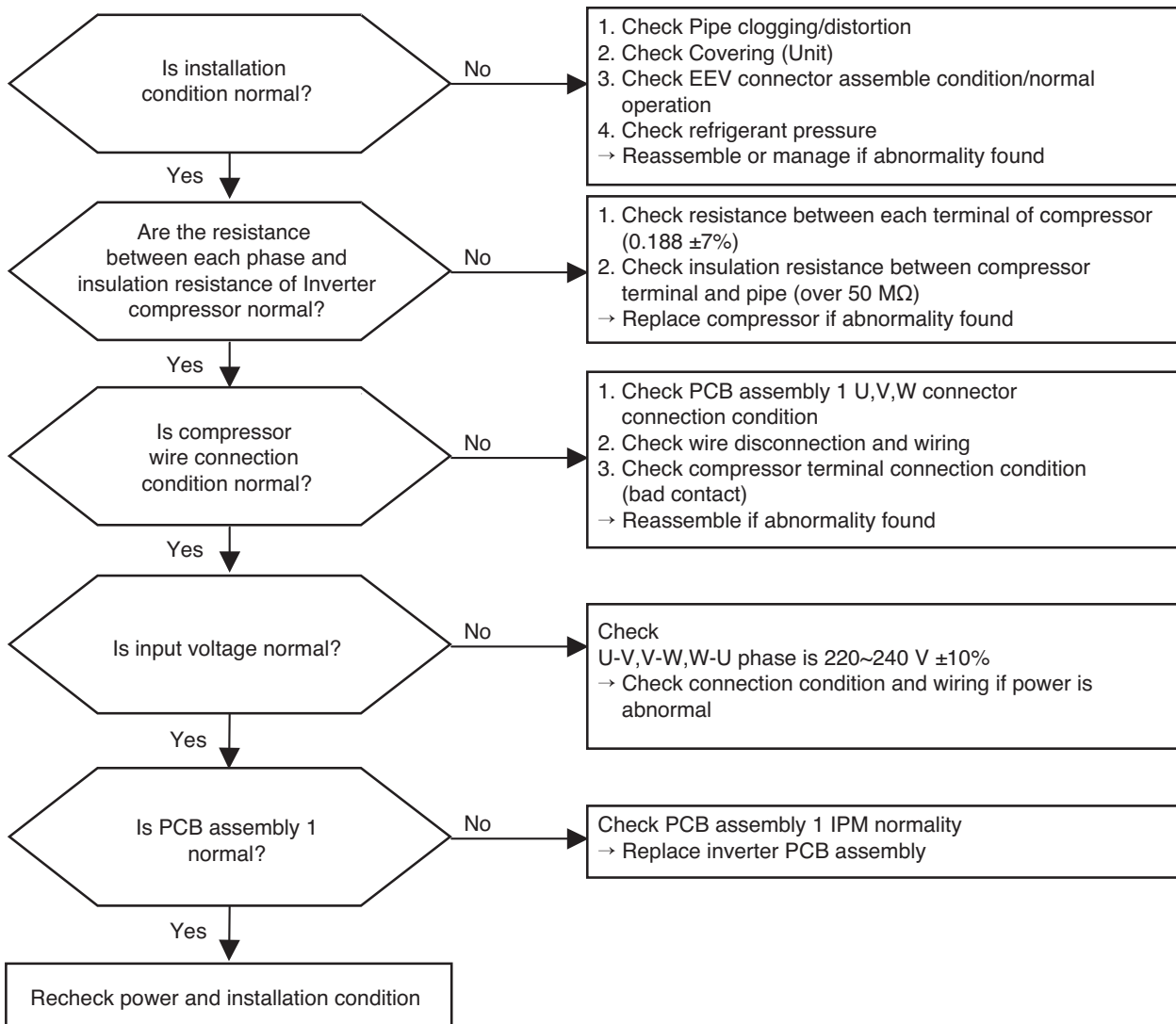


WARNING

Before checking PCB(Inverter) or each outdoor electric parts, wait for 3 minutes after the power is off. When measuring at standby state of power supply, after checking the measurement mode of the meter, be careful of the short-circuits with other parts.

■ Error Diagnosis and Countermeasure Flow Chart

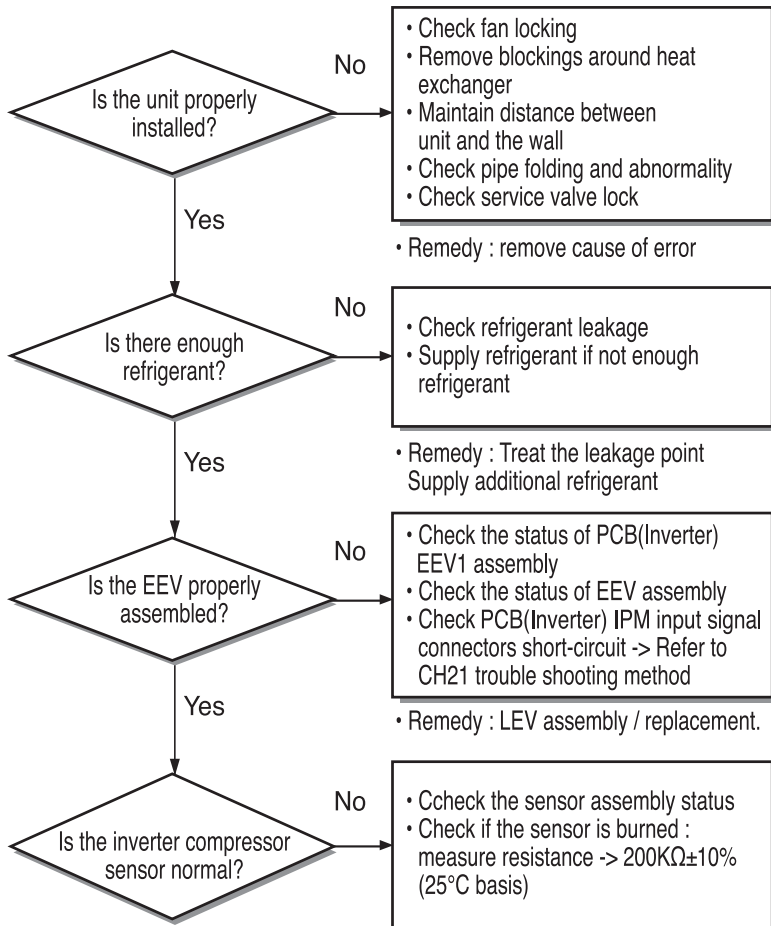
Check Flow Chart



Display code	Title	Cause of error	Check point & Normal condition
32	High temperature in Discharge pipe of the inverter compressor	<ul style="list-style-type: none"> • Overload operation (Outdoor fan constraint, screened, blocked) • Refrigerant leakage (insufficient) • Poor INV Comp Discharge sensor • LEV connector displaced / poor LEV assembly 	<ul style="list-style-type: none"> • Check outdoor fan constraint/ screened/ flow structure • Check refrigerant leakage • Check if the sensor is normal • Check the status of EEV assembly

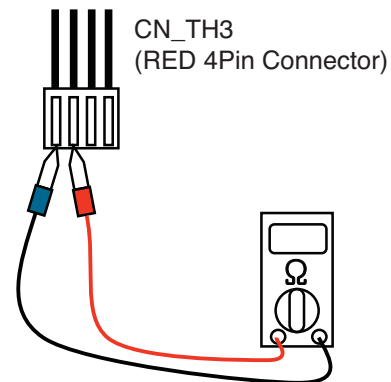
WARNING

Before checking PCB(Inverter) or each outdoor electric parts, wait for 3 minutes after the power is off. When measuring at standby state of power supply, after checking the measurement mode of the meter, be careful of the short-circuits with other parts.



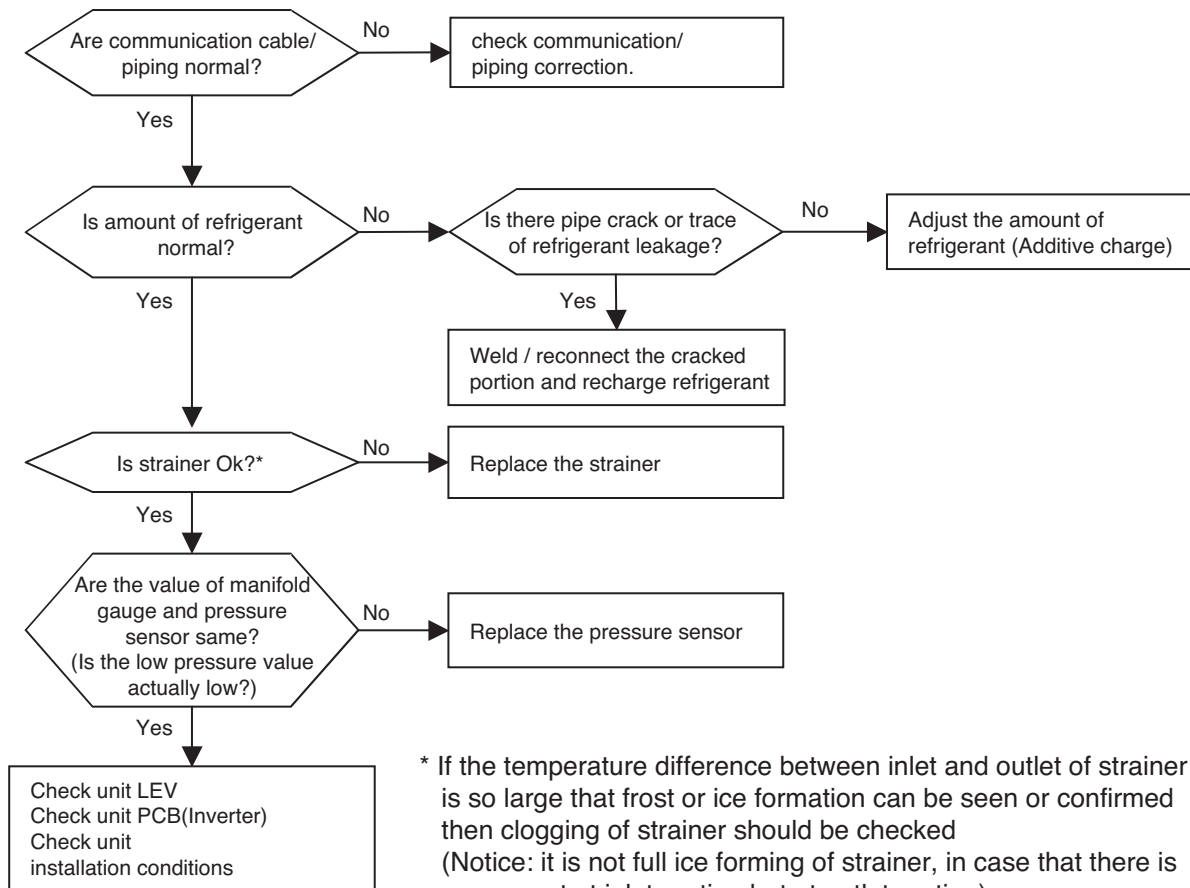
• Inspecting Inverter Compressor Discharge Sensor

1. Set Multi-tester as resistance measurement mode.
2. Measure the resistance between inverter discharge sensor connector pins.
3. Measure resistance value of $200\text{K}\Omega \pm 10\%$, 25°C basis
4. Check if the sensor insulation is damaged. -> measure the resistance between sensor connector pin and unit assembly pipe. ($1\text{M}\Omega$ or more)



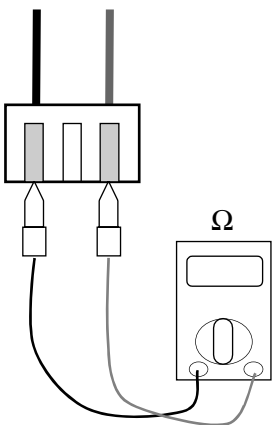
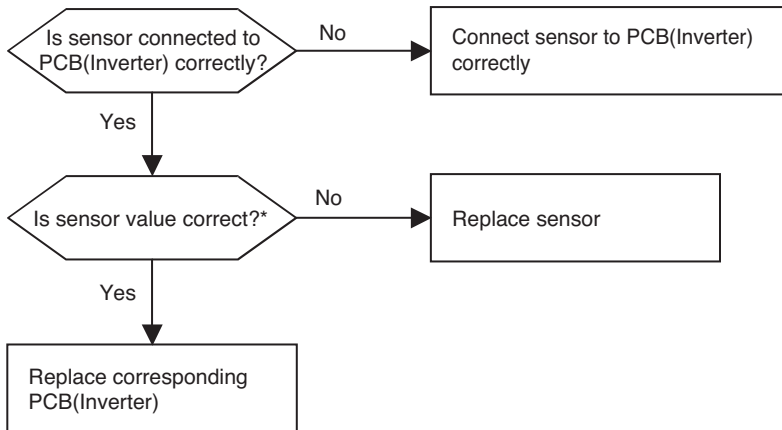
Display code	Title	Cause of error	Check point & Normal condition
35	Low Presser Error	Excessive decrease of low pressure	<ul style="list-style-type: none"> • Defective low pressure sensor • Defective unit fan • Refrigerant shortage/leakage • Deformation because of damage of refrigerant pipe • Defective unit EEV • Covering / clogging (unit covering during the cooling mode / unit filter clogging during heating mode) • SVC valve clogging • Defective unit PCB(Inverter) • Defective unit pipe sensor

■ Error diagnosis and countermeasure flow chart



Display code	Title	Cause of error	Check point & Normal condition
41	D-pipe sensor (Inverter)	<ul style="list-style-type: none"> • Open / Short • Soldered poorly • Internal circuit error 	<ol style="list-style-type: none"> 1. Bad connection of thermistor connector 2. Defect of thermistor connector (Open/Short) 3. Defect of outdoor PCB(Inverter)
44	Air sensor	<ul style="list-style-type: none"> • Open / Short • Soldered poorly • Internal circuit error 	<ol style="list-style-type: none"> 1. Bad connection of thermistor connector 2. Defect of thermistor connector (Open/Short) 3. Defect of outdoor PCB(Inverter)
45	Condenser Mid-pipesensor	<ul style="list-style-type: none"> • Open / Short • Soldered poorly • Internal circuit error 	<ol style="list-style-type: none"> 1. Bad connection of thermistor connector 2. Defect of thermistor connector (Open/Short) 3. Defect of outdoor PCB(Inverter)
46	Suction Pipe sensor	<ul style="list-style-type: none"> • Open / Short • Soldered poorly • Internal circuit error 	<ol style="list-style-type: none"> 1. Bad connection of thermistor connector 2. Defect of thermistor connector (Open/Short) 3. Defect of outdoor PCB(Inverter)
48	Condenser Out-pipe sensor	<ul style="list-style-type: none"> • Open / Short • Soldered poorly • Internal circuit error 	<ol style="list-style-type: none"> 1. Bad connection of thermistor connector 2. Defect of thermistor connector (Open/Short) 3. Defect of outdoor PCB(Inverter)

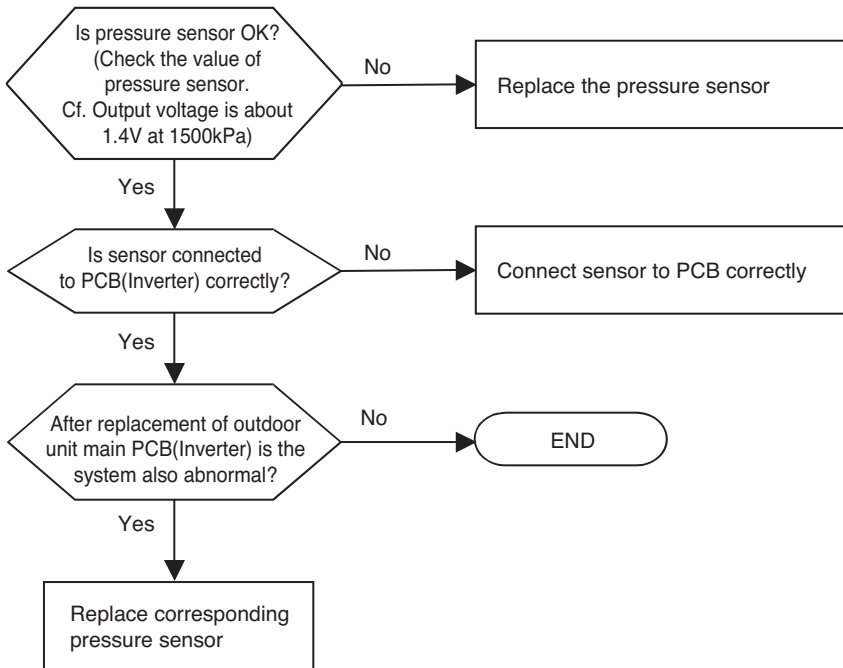
■ Error Diagnosis and Countermeasure Flow Chart



Check Point

1. Estimate the resistance of each sensor.(Unplugged)
2. Check the value of the resistor of thermistor.
 - D-pipe sensor (Inverter) : Normal Value of the resistor is 200kΩ at 25°C
 - Air sensor : Normal Value of the resistor is 10kΩ at 25°C
 - Cond. Mid-pipe sensor : Normal Value of the resistor is 5kΩ at 25°C
 - Suction pipe sensor : Normal Value of the resistor is 5kΩ at 25°C
 - Condenser Out-pipe sensor : Normal Value of the resistor is 5kΩ at 25°C

Display code	Title	Cause of error	Check point & Normal condition
43	Sensor error of high pressure	Abnormal value of sensor (Open/Short)	<ul style="list-style-type: none"> • Bad connection of connector PCB(Inverter) • Bad connection high pressure connector • Defect of high pressure connector (Open/Short) • Defect of connector PCB(Inverter) (Open/Short) • Defect of PCB(Inverter)



Display code	Title	Cause of error	Check point & Normal condition
53	Title Communication (PCB(Heater) → PCB(Inverter))	• Communication poorly	<ul style="list-style-type: none"> • Power input AC 230V. • The connector for transmission is disconnected. • The connecting wires are misconnected. • The communication line is shorted at GND. • Transmission circuit of PCB(Inverter) is abnormal. • Transmission circuit of PCB(Heater) is abnormal.



WARNING

Before checking PCB(Inverter) or each outdoor electric parts, wait for 3 minutes after the power is off. When measuring at standby state of power supply, after checking the measurement mode of the meter, be careful of the short-circuits with other parts.

Check Point

1. Check the input power AC230V.
2. Check the communication wires are correctly connected.
Adjust the connection of wire Confirm the wire of "Live", "Neutral"
3. Check the resistance between communication line and GND. (Normal : Over 2MΩ)
4. Check the connector for communication is correctly connected.
5. Make sure you have connected to the communication line soldering
(If you do not connect by soldering, a communication error(CH05/CH53) occurs by noise)

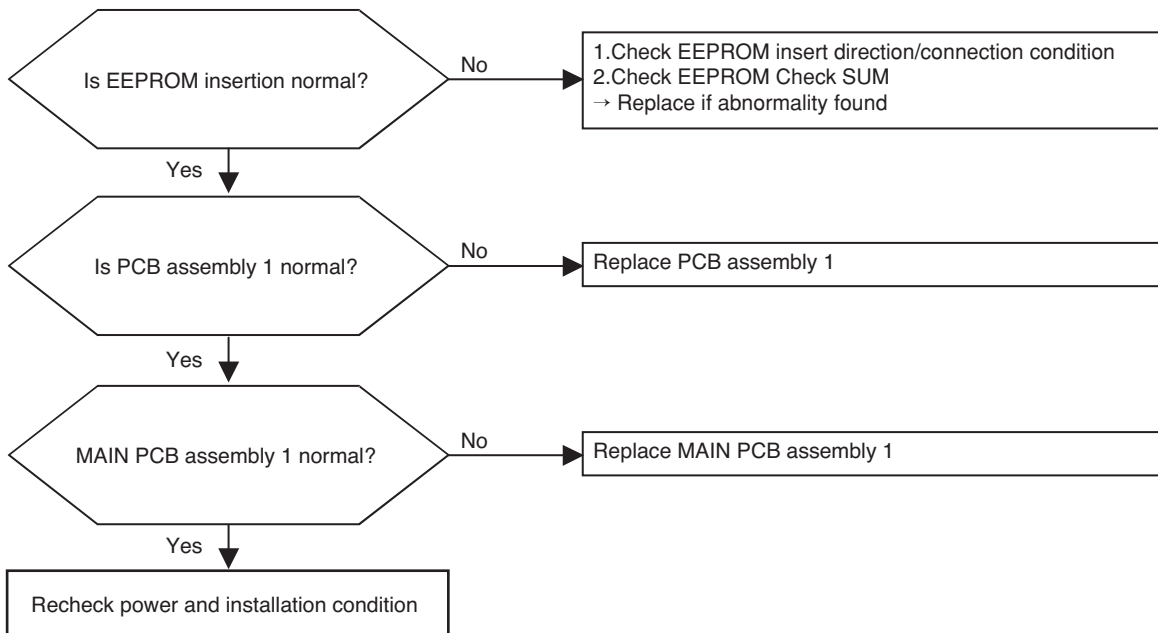
Display code	Title	Cause of error	Check point & Normal condition
60	PCB(Inverter) & Main EEPROM check sum error	EEPROM Access error and Check SUM error	1. EEPROM contact defect/wrong insertion 2. Different EEPROM Version 3. ODU Inverter & Main PCB assembly 1 damage



WARNING

Before checking PCB(Inverter) or each outdoor electric parts, wait for 3 minutes after the power is off. When measuring at standby state of power supply, after checking the measurement mode of the meter, be careful of the short-circuits with other parts.

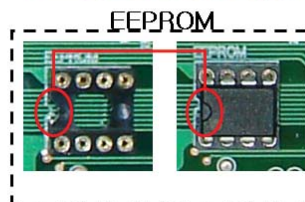
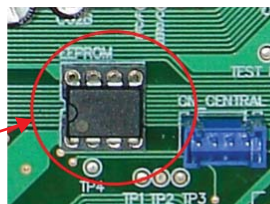
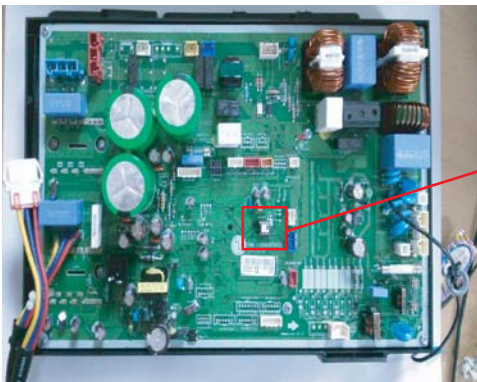
■ Error Diagnosis and Countermeasure Flow Chart



Check Point

- Check the EEPROM Check sum & Direction

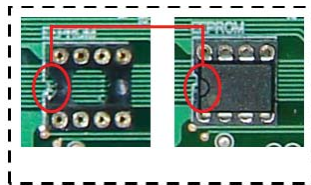
* AHBW056A0/AHBW076A0/AHBW096A0



* AHBW126A0/AHBW146A0/AHBW166A0



EEPROM

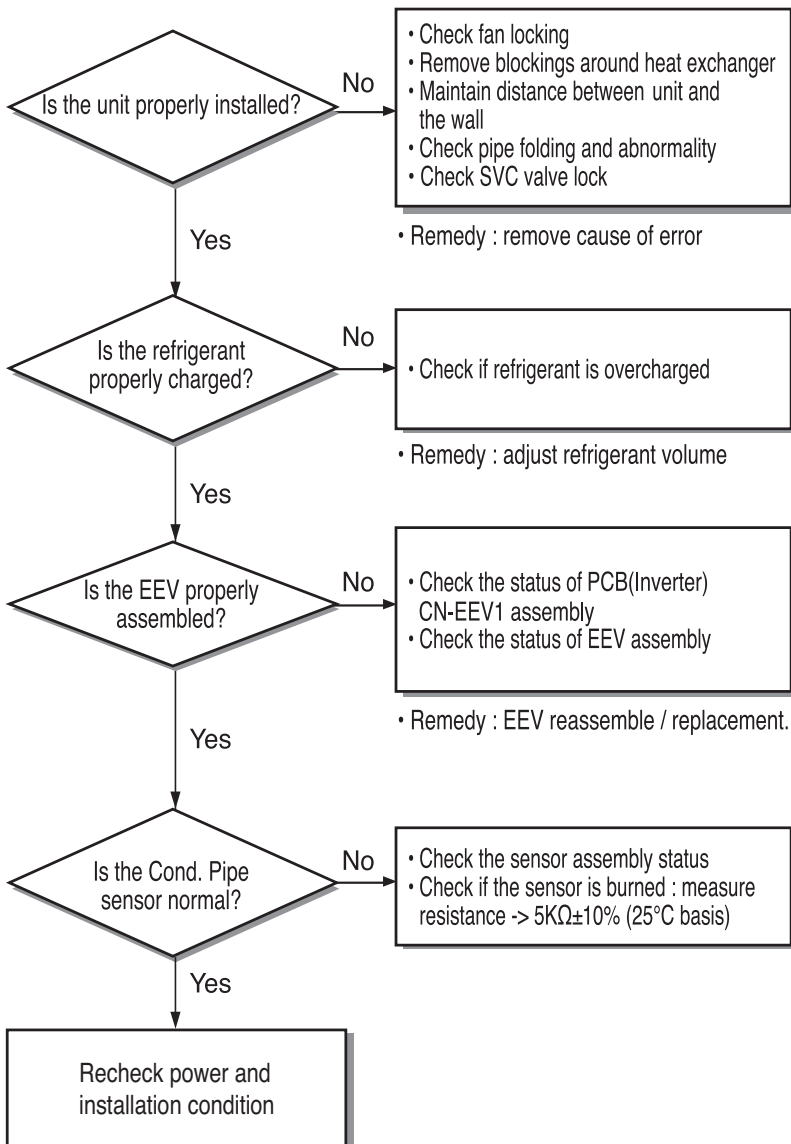


Display code	Title	Cause of error	Check point & Normal condition
61	High temperature in Cond. Pipe	<ul style="list-style-type: none"> • Overload operation (Outdoor fan constraint, screened, blocked) • Unit heat exchanger contaminated • EEV connector displaced / poor EEV assembly • Poor Cond. Pipe sensor assembly / burned 	<ul style="list-style-type: none"> • Check outdoor fan constraint / screened / flow structure • Check if refrigerant overcharged • Check the status of EEV assembly • Check the status of sensor assembly / burn



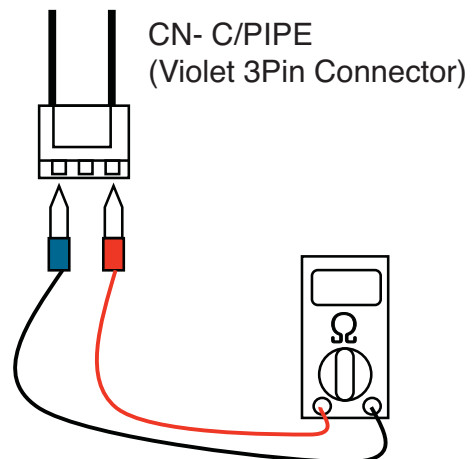
WARNING

Before checking PCB(Inverter) or each outdoor electric parts, wait for 3 minutes after the power is off. When measuring at standby state of power supply, after checking the measurement mode of the meter, be careful of the short-circuits with other parts.



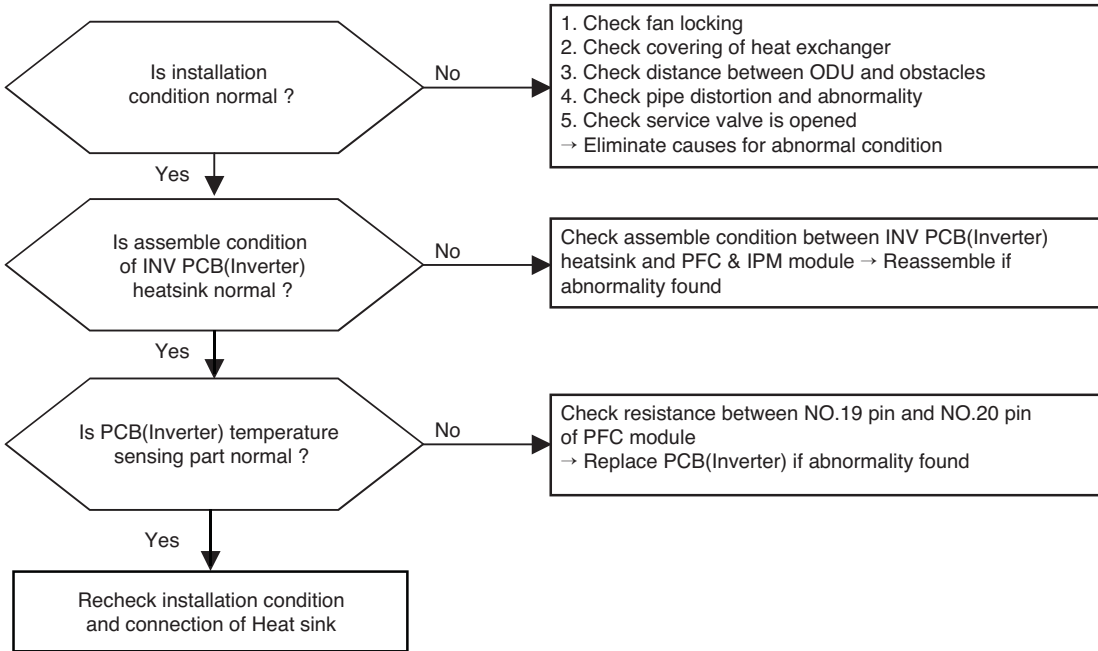
• Inspecting Cond. Pipe Sensor

1. Set Multi-tester as resistance measurement mode.
2. Measure the resistance between rated speed Comp Discharge sensor connector pins.
3. Measure resistance value of $5k\Omega \pm 10\%$, 25°C basis
4. Check if the sensor insulation is damaged. -> measure the resistance between sensor connector pin and unit assembly pipe. ($1M\Omega$ or more)



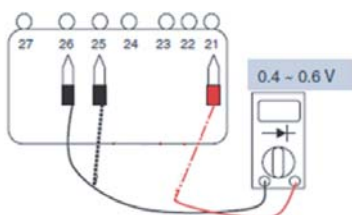
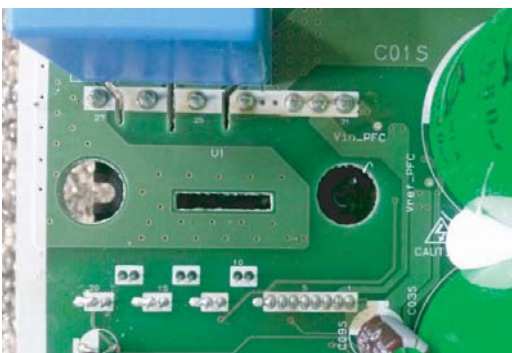
Display code	Title	Cause of error	Check point & Normal condition
62	Heatsink High error	220-240 V~ heatsink temperature is over 85°C	1. ODU fan locking 2. Heatsink assembly of PCB assembly 1 condition abnormal 3. Defect of temperature sensing circuit part defect of INV PCB(Inverter)

■ Error Diagnosis and Countermeasure Flow Chart



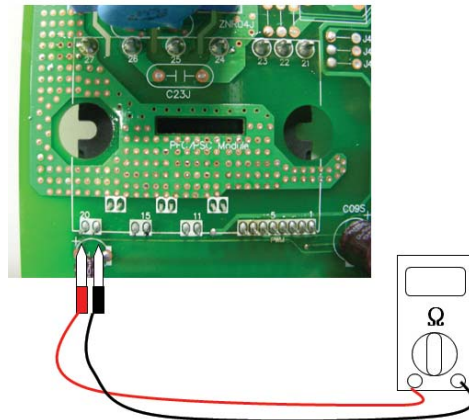
Check Point

1. Check resistance between No.19 pin and NO.20 pin of PCB PFC module
2. Resistance value should be in $7k\Omega \pm 10\%$.(at 25°C).



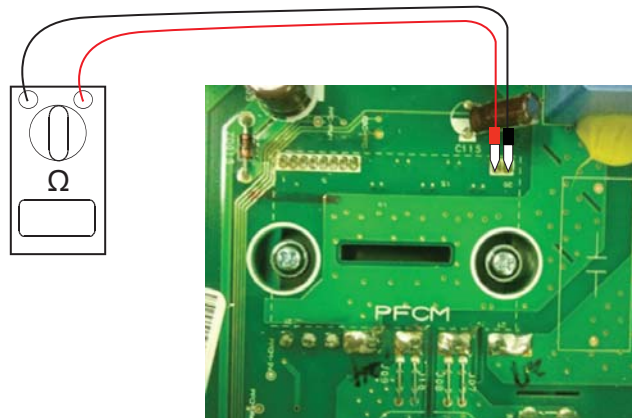
<Check the PFCM>

* AHBW056A0/AHBW076A0/AHBW096A0



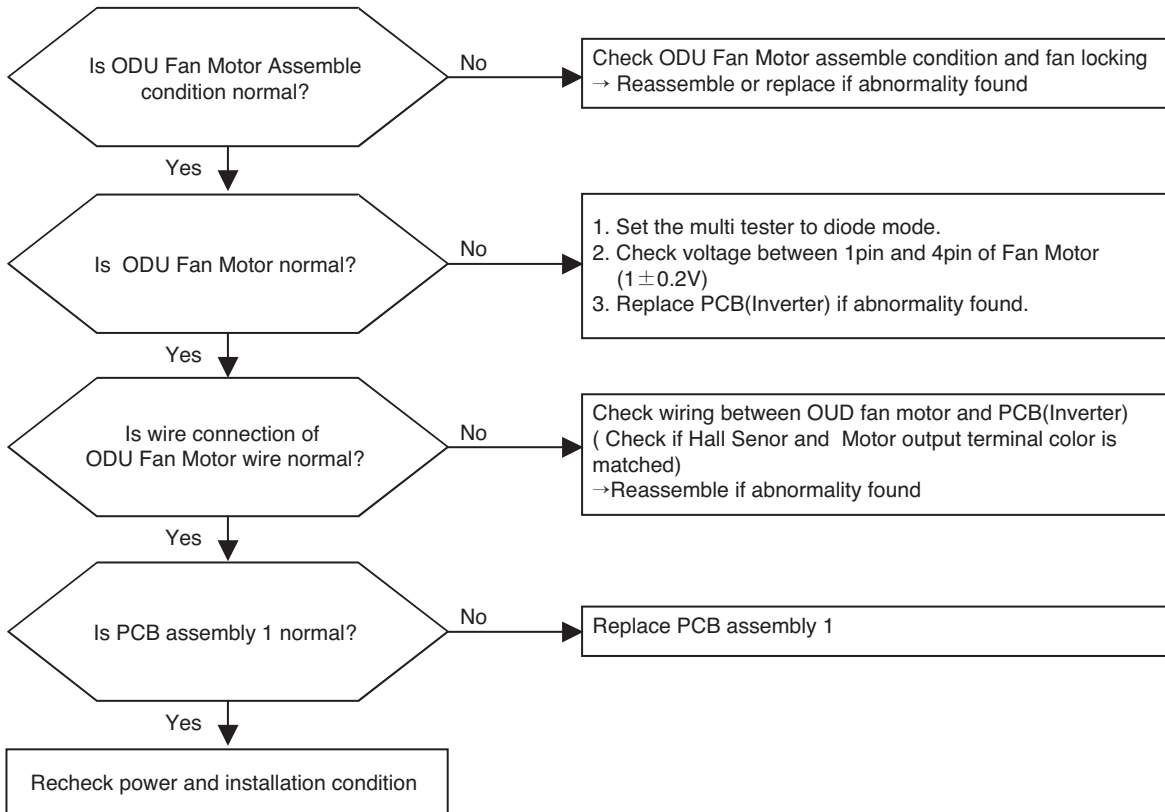
PFCM:
Measuring resistance
between No.19,20 pin

* AHBW126A0/AHBW146A0/AHBW166A0



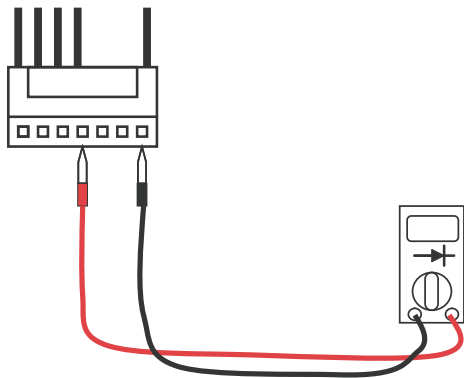
Display code	Title	Cause of error	Check point & Normal condition
67	Fan Lock Error	Fan RPM is 10RPM or less for 5 sec. when ODU fan starts or 40 RPM or less after fan starting.	1. ODU fan locking 2. Heatsink assembly of PCB assembly 1 condition abnormal 3. Defect of temperature sensing circuit part defect of PCB(Inverter)

■ Error Diagnosis and Countermeasure Flow Chart

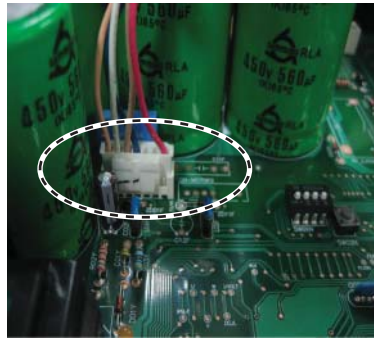


Check Point

1. Check voltage between 1pin and 4pin of Fan Mortor connector (Tester diode mode)
2. Voltage value should be in $1V \pm 0.2V$.
3. Do not replacing all of fan motor and 220-240 V~ at once.
Check error code again, after replacing the abnormal part (Fan Motor or PCB) first.

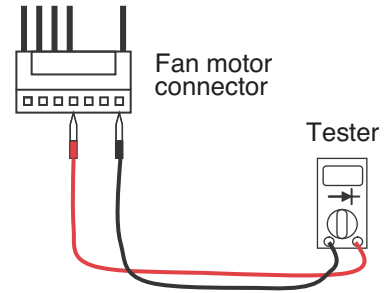


▶ AHBW056A0/AHBW076A0/AHBW096A0



<Main PCB>

Check voltage between
1pin and 4pin of fan motor

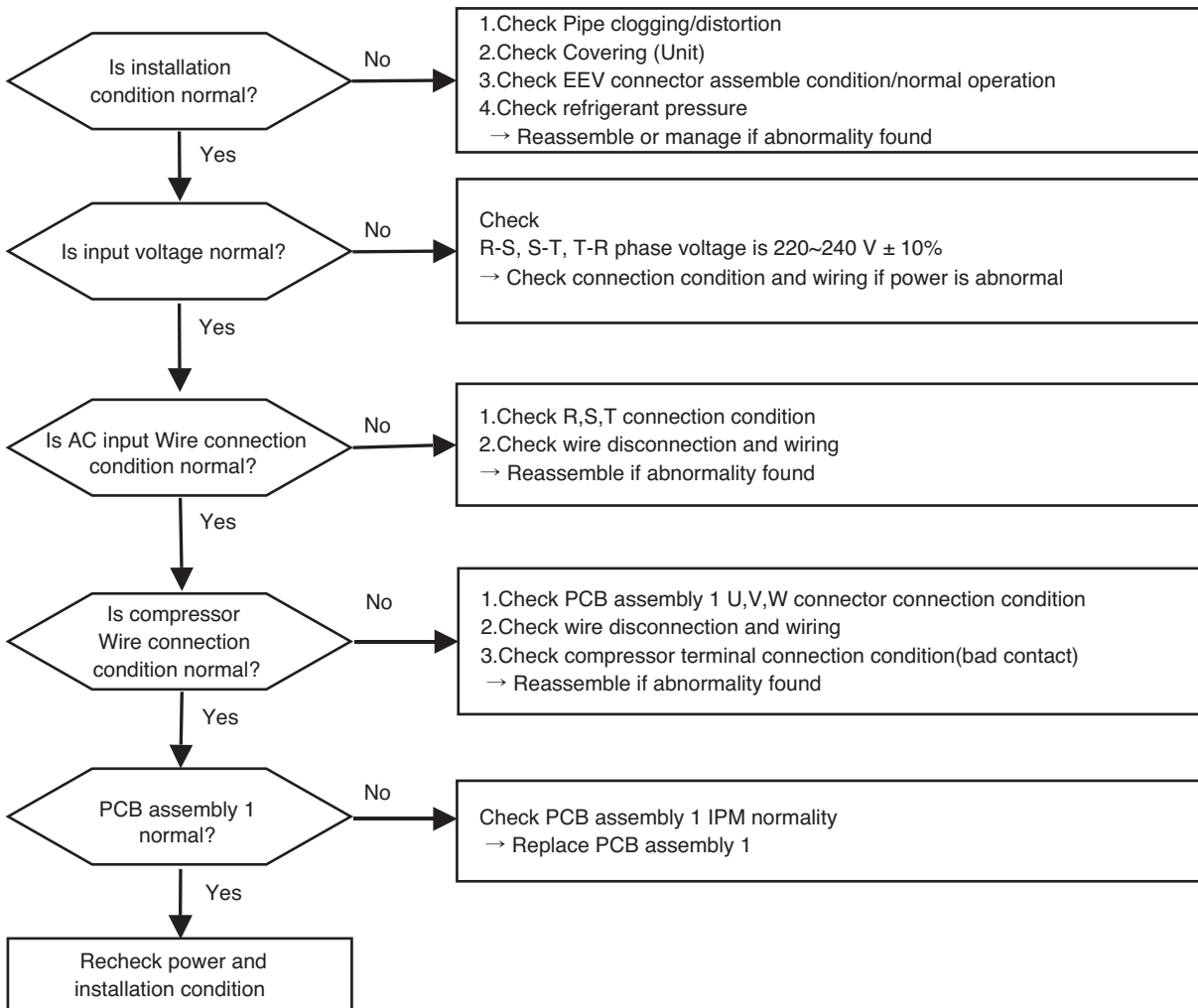


▶ AHBW126A0/AHBW146A0/AHBW166A0



Display code	Title	Cause of error	Check point & Normal condition
73	AC input instant over current error (Matter of software)	PCB(Inverter) input power current is over 48A(peak) for 2ms	<ol style="list-style-type: none"> 1. Overload operation (Pipe clogging/Covering/EEV defect/Ref.overcharge) 2. Compressor damage (Insulation damage/Motor damage) 3. Input voltage abnormal (L, N) 4. Power line assemble condition abnormal 5. PCB assembly 1 damage (input current sensing part)

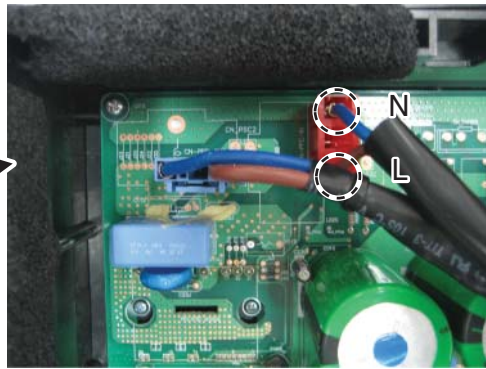
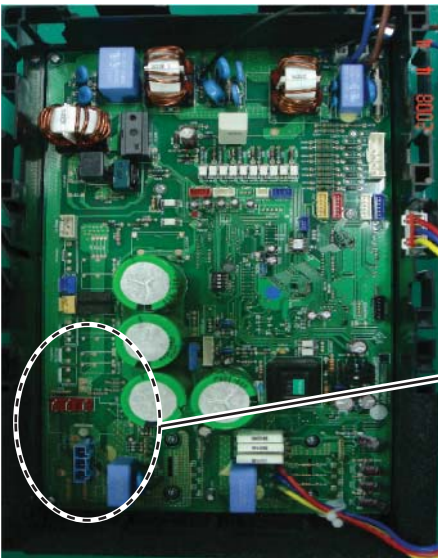
■ Error Diagnosis and Countermeasure Flow Chart



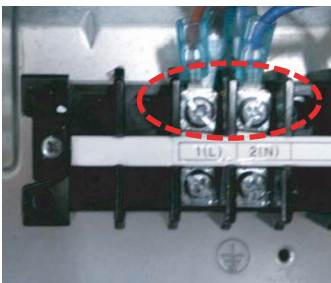
* AHBW056A0/AHBW076A0/AHBW096A0



< Noise Filter wiring Check Point >

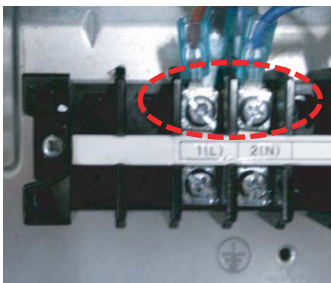
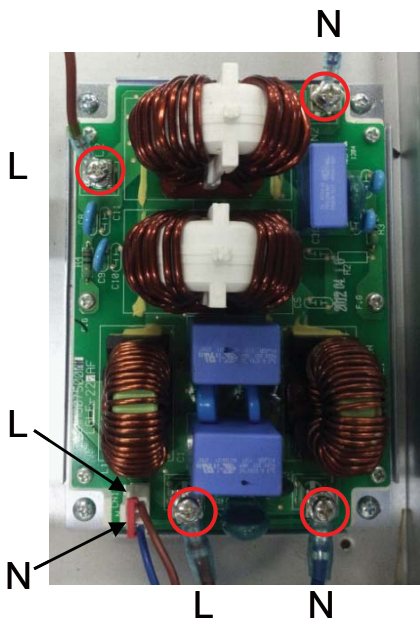
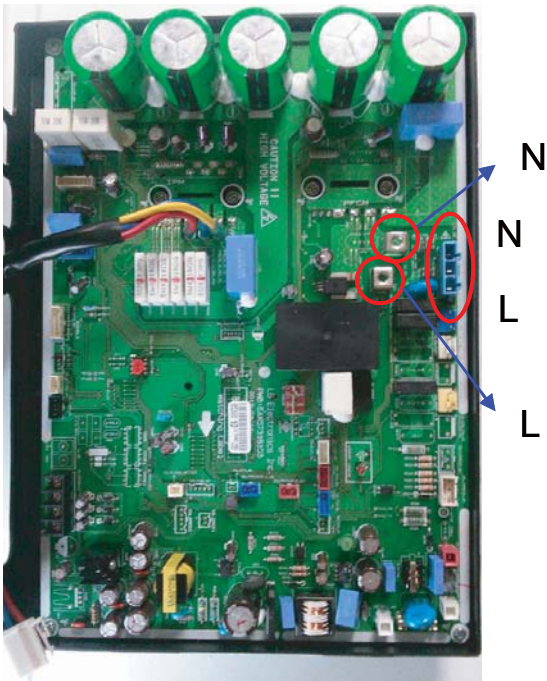


< Main PCB wiring Check Point >



< Input Power Source Check Point >

▶ AHBW126A0/AHBW146A0/AHBW166A0



< Input Power Source Check Point >

Sensor resistance table

Pipe Temp

B Constant	3977	
Std Temp	25	
Resistance	5	
Temp	Resistance	Volt
-30	102.17	4.714
-25	73.49	4.611
-20	53.55	4.481
-15	39.5	4.322
-10	29.48	4.131
-5	22.24	3.91
0	16.95	3.661
5	13.05	3.389
10	10.14	3.102
15	7.94	2.808
20	6.28	2.515
25	5	2.232
30	4.01	1.965
35	3.24	1.717
40	2.64	1.493
45	2.16	1.293
50	1.78	1.116
55	1.48	0.962
60	1.23	0.828
65	1.03	0.714
70	0.87	0.615
75	0.74	0.531
80	0.63	0.459
85	0.54	0.397
90	0.46	0.345
95	0.4	0.3
100	0.34	0.262

Air Temp

B Constant	3977	
Std Temp	25	
Resistance	10	
Temp	Resistance	Volt
-30	204.35	4.72
-25	146.97	4.62
-20	107.09	4.492
-15	79	4.336
-10	58.95	4.149
-5	44.47	3.931
0	33.9	3.685
5	26.09	3.416
10	20.27	3.131
15	15.89	2.838
20	12.55	2.546
25	10	2.262
30	8.03	1.994
35	6.49	1.745
40	5.28	1.519
45	4.32	1.316
50	3.56	1.137
55	2.95	0.981
60	2.46	0.846
65	2.06	0.729
70	1.74	0.628
75	1.47	0.542
80	1.25	0.469
85	1.07	0.406
90	0.92	0.353
95	0.79	0.307
100	0.68	0.268

Heatsink Temp

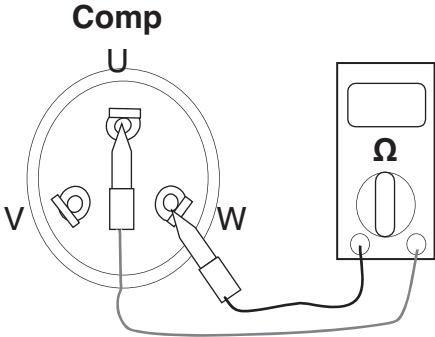
B Constant	3970	
Std Temp	25	
Resistance	10	
Temp	Resistance	Volt
-30	102.17	4.71
-25	73.49	4.61
-20	53.55	4.48
-15	39.5	4.32
-10	29.48	4.13
-5	22.24	3.91
0	16.95	3.66
5	26.05	4.73
10	20.25	4.66
15	15.87	4.57
20	12.55	4.47
25	10	4.35
30	8.03	4.21
35	6.49	4.06
40	5.28	3.89
45	4.33	3.71
50	3.57	3.52
55	2.96	3.32
60	2.47	3.11
65	2.07	2.9
70	1.74	2.69
75	1.48	2.48
80	1.26	2.28
85	1.07	2.09
90	0.92	1.9
95	0.8	1.73
100	0.69	1.57

D-Pipe Temp

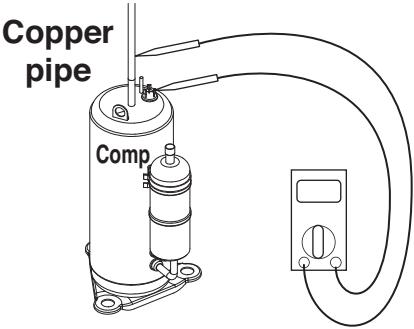
B Constant	3500	
Std Temp	25	
Resistance	200	
Temp	Resistance	Volt
-30	2845.99	4.969
0	585.66	4.851
5	465.17	4.814
10	372.49	4.77
15	300.58	4.717
20	244.33	4.657
25	200	4.587
30	164.79	4.508
35	136.64	4.418
40	113.98	4.318
45	95.62	4.208
50	80.65	4.088
55	68.38	3.958
60	58.27	3.82
65	49.88	3.674
70	42.9	3.522
75	37.05	3.365
80	32.14	3.205
85	27.99	3.043
90	24.46	2.88
95	21.46	2.719
100	18.89	2.561
110	14.79	2.255
120	11.72	1.972
130	9.4	1.716
140	7.62	1.487
150	6.24	1.287

Check of compressor

■ Check resistance of the compressor



■ Check Insulation resistance of the compressor



Model	Resistance (Ω) at 25 °C		
	U-V	U-W	V-W
AHBW126	1.183	1.174	1.181
AHBW146	1.183	1.174	1.181
AHBW166	1.183	1.174	1.181

Resistance (Ω) at 25 °C	
Terminal	All models
U-GND	More than 2M Ω
V-GND	More than 2M Ω
W-GND	More than 2M Ω

Model	Resistance (Ω) at 25 °C		
	U-V	U-W	V-W
AHBW056	0.997	0.980	0.965
AHBW076	0.997	0.980	0.965
AHBW096	0.997	0.980	0.965

Resistance (Ω) at 25 °C	
Terminal	All models
U-GND	More than 2M Ω
V-GND	More than 2M Ω
W-GND	More than 2M Ω

Resistance (Ω) at 25 °C	
Terminal	All models
U-GND	More than 2M Ω
V-GND	More than 2M Ω
W-GND	More than 2M Ω



P/NO : MFL68026801

October, 2013